



# AVTECH ELECTROSYSTEMS LTD.

NANOSECOND WAVEFORM ELECTRONICS  
SINCE 1975

P. O. BOX 265  
OGDENSBURG, NY  
U.S.A. 13669-0265  
TEL: (315) 472-5270  
FAX: (613) 226-2802

TEL: 1-800-265-6681  
FAX: 1-800-561-1970

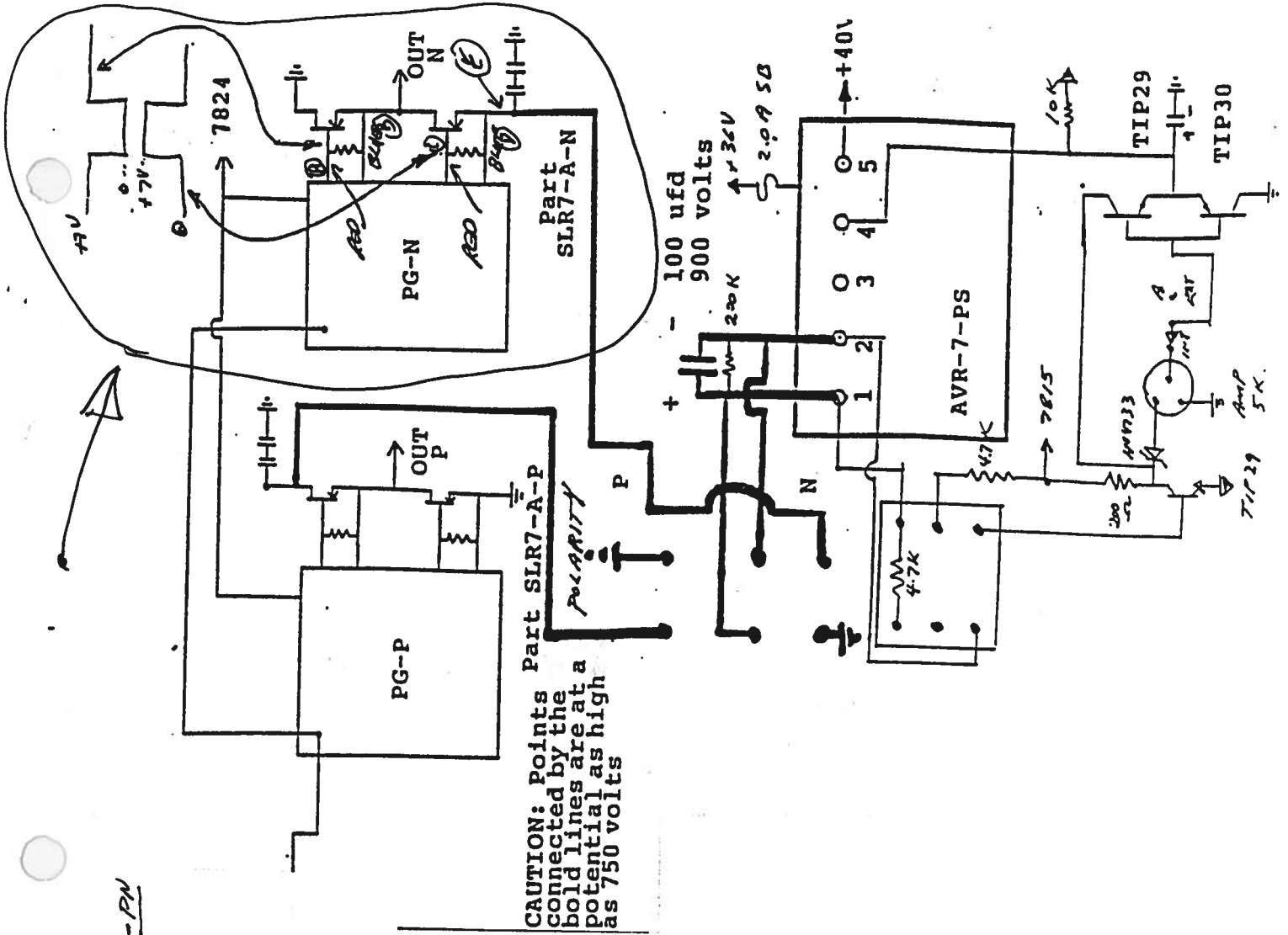
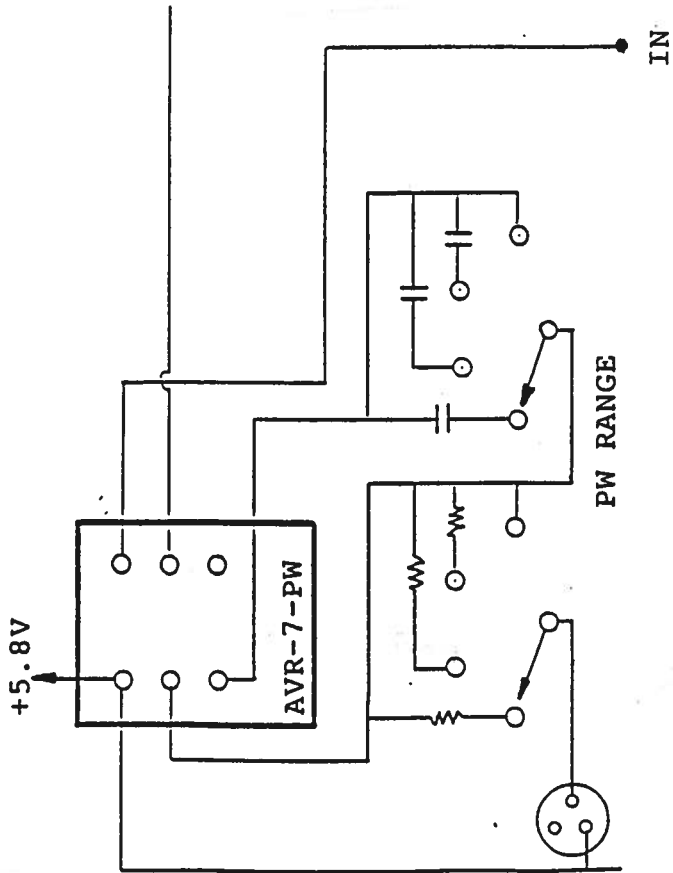
e-mail: [info@avtechpulse.com](mailto:info@avtechpulse.com)  
<http://www.avtechpulse.com>

P.O. BOX 5120 STN. F  
OTTAWA, ONTARIO  
CANADA K2C 3H4  
TEL: (613) 226-5772  
FAX: (613) 226-2802

## SLR7A-N REPLACEMENT INSTRUCTIONS

- 1) **CAUTION !!** DC and Pulse potentials as high as 750 Volts exist in this chassis (when active) and so extreme caution must be employed when repairing the unit. Repairs should be completed by a worker who is skilled in high voltage technology and high quality soldering techniques.
- 2) Rotate the amplitude control fully counter clockwise and turn the prime power off. Let the instrument sit for 10 minutes to discharge all high voltages.
- 3) De-solder the two red and the two blue lines to the original SLR-7A-N module (A,B,C&D) and de-solder the high voltage line which connects to the orange 1 uFD capacitors (e)
- 4) De-solder the black RG174 output cable. Use low heat so as to not damage the cable.
- 5) Unscrew the two 4-40 Phillips screws and discard the original module.
- 6) Install the new module.

AVR-7B-PS-PN



Instructions received  
July 5/99 step