

AVTECH ELECTROSYSTEMS LTD.

NANOSECOND WAVEFORM ELECTRONICS
ENGINEERING - MANUFACTURING

□ P.O. BOX 265
OGDENSBURG
NEW YORK
13669
(315) 472-5270

✕ BOX 5120, STN. "F"
OTTAWA, ONTARIO
CANADA K2C 3H4
TEL: (613) 226-5772
FAX: (613) 226-2802
TELEX: 053-4591

INSTRUCTIONS

MODEL AVR-EB3-TIA-C PULSE GENERATOR

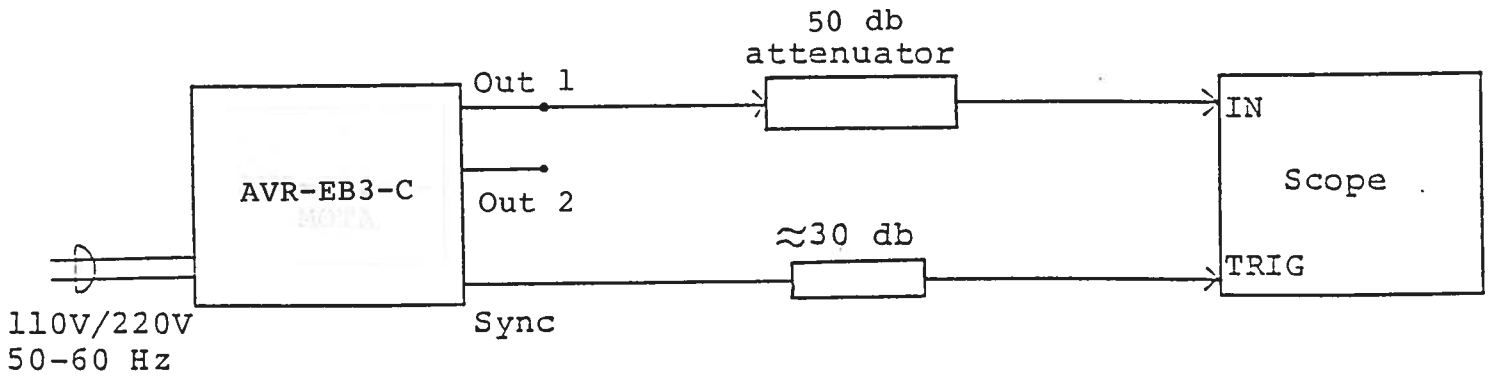
S.N.:

WARRANTY

Avtech Electrosystems Ltd. warrants products of its manufacture to be free from defects in material and workmanship under conditions of normal use. If, within one year after delivery to the original owner, and after prepaid return by the original owner, this Avtech product is found to be defective, Avtech shall at its option repair or replace said defective item. This warranty does not apply to units which have been disassembled, modified or subjected to conditions exceeding the applicable specifications or ratings. This warranty is the extent of the obligation or liability assumed by Avtech with respect to this product and no other warranty or guarantee is either expressed or implied.

Fig. 1

PULSE GENERATOR TEST ARRANGEMENT

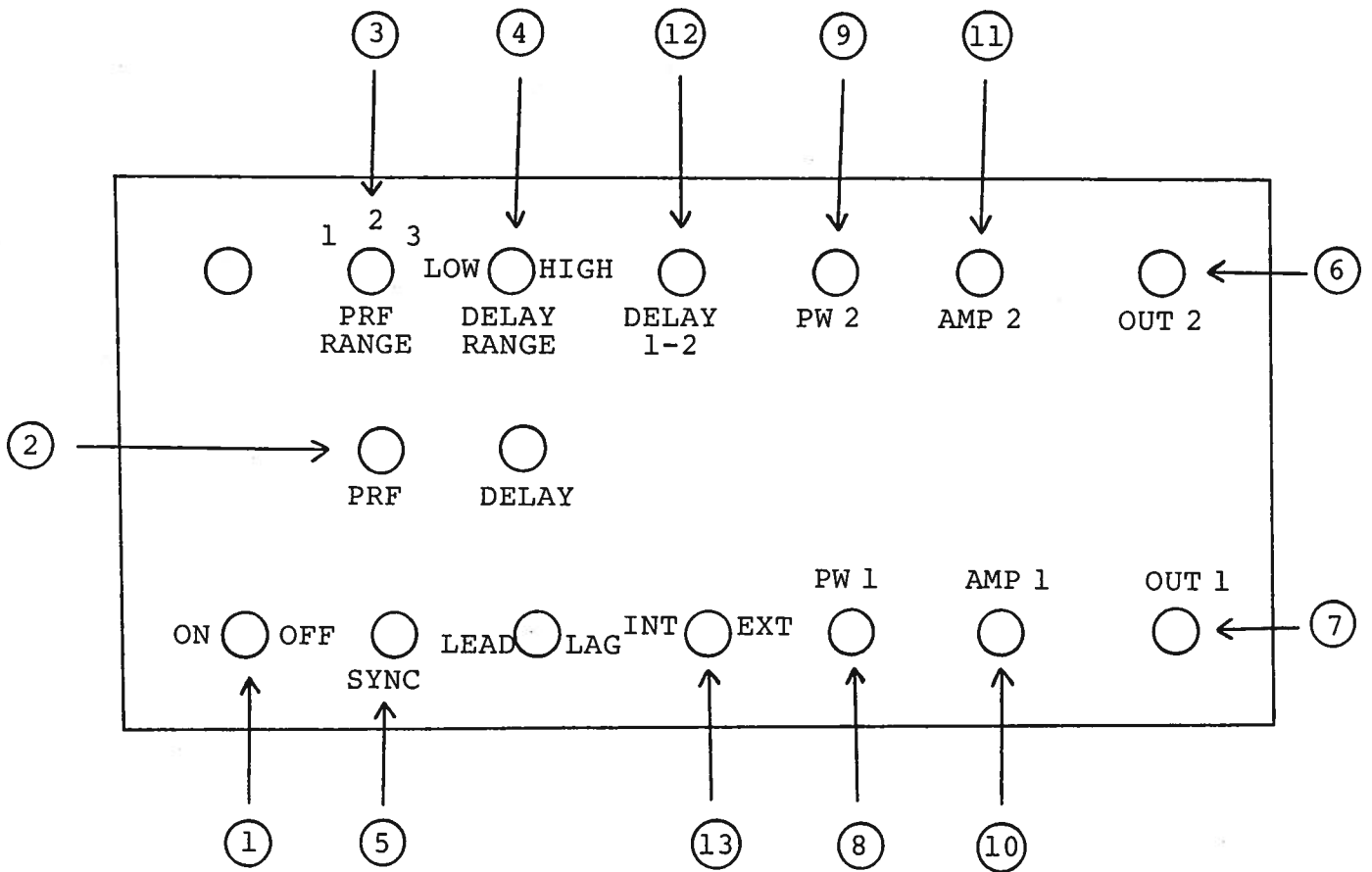


Notes:

- 1) The bandwidth capability of components and instruments used to display the pulse generator output signal (attenuators, cables, connectors, etc.) should exceed 1.0 GHz.
- 2) The use of 50 db attenuator at the scope vertical input channel will insure a peak input signal to the scope of less than one volt (necessary only if sampling scope used). If a high impedance real time scope is used, the pulse generator should be terminated using a shunt 50 ohm resistor.
- 3) The sync output channel provides TTL level signals. To avoid overdriving the TRIG input channel of some scopes, a 30 db attenuator should be placed at the input to the scope trigger channel. The SYNC output precedes the main output when the front panel LEAD-LAG switch is in the LEAD position. The SYNC output lags the main output when the switch is in the LAG position.
- 4) To obtain a stable output display the PW and PRF controls on the front panel should be set mid-range while the front panel PRF RANGE switch may be in either range. The front panel TRIG toggle switch should be in the INT position. The DELAY controls and the scope triggering controls are then adjusted to obtain a stable output. The scope may then be used to set the desired PRF by rotating the PRF control and by means of the PRF RANGE switch.
- 5) The output pulse width for Channels 1 and 2 is controlled by means of the front panel ten turn PW controls. The controls should be adjusted using an oscilloscope.
- 6) The output pulse amplitude for Channel 1 and Channel 2 is controlled by means of the front panel ten turn AMP controls.
- 7) The delay from the leading edge of the output from Channel 1 to leading edge of the output of Channel 2 is variable from 0 to 5.0 usec using the ten turn DELAY 1-2 control. Channel 1 output (leading edge) always lags the Channel 2 leading edge output.
- 8) An external clock may be used to control the output PRF of the AVR unit by setting the front panel TRIG toggle switch in the EXT position and applying a 0.2 usec (approx.) TTL level pulse to the SYNC BNC connector input. For operation in this mode, the scope time base must also be triggered by the external clock rather than from the SYNC output.

Fig. 2

FRONT PANEL CONTROLS

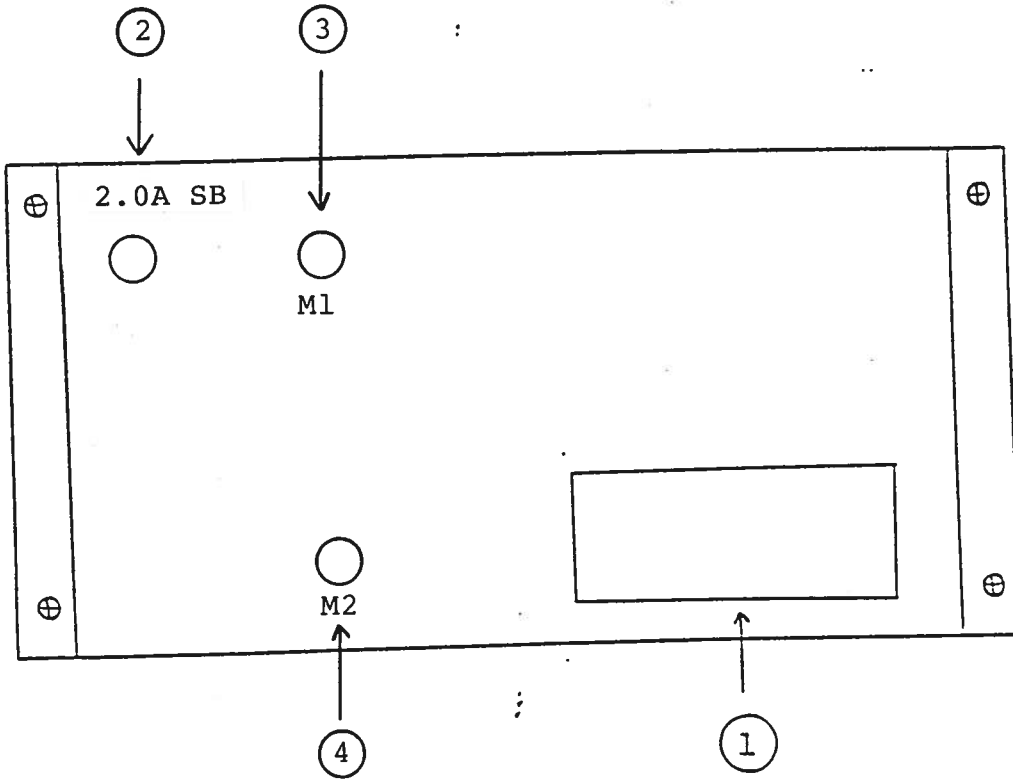


- (1) ON-OFF Switch. Applies basic prime power to all stages.
- (2) PRF Control. Controls PRF as follows:
- (3)

Range 1	5	Hz to 50	Hz
Range 2	50	Hz to 500	Hz
Range 3	500	Hz to 5	KHz
- (4) DELAY Control. Controls the relative delay between the reference output pulse provided at the SYNC output (5) and the Channel 2 output (6). This delay is variable over the range of 0 to about 1.0 usec (LOW) and 1.0 to 5.0 usec (HIGH). The TRIG output precedes the main output when the LEAD-LAG switch is in the LEAD position and lags when the switch is in the LAG position.
- (5) SYNC Output. This output is used to trigger the scope time base. The output is a TTL level 100 nsec (approx.) pulse capable of driving a fifty ohm load. The relative delay between the SYNC output and Channel 2 output is variable from 0 to ± 5.0 usec using the DELAY controls.
- (6) OUT 2 Connector. BNC connector provides output to a fifty ohm load (0 to +100 volts, 0.1 to 5.0 usec).
- (7) OUT 1 Connector. BNC connector provides output to a fifty ohm load (0 to -100 volts, 0.1 to 5.0 usec).
- (8) PW Control. Ten turn controls which varies the output
- (9) pulse width.
- (10) AMP Control. Ten turn controls which varies the output
- (11) pulse amplitude.
- (12) DELAY 1-2 Control. The delay from the leading edge of the output from Channel 1 to leading edge of the output of Channel 2 is variable from 0 to 5.0 usec using the ten turn DELAY 1-2 control. Channel 1 output (leading edge) always lags the Channel 2 leading edge output.
- (13) EXT-INT Control. With this toggle switch in the INT position, the PRF of the AVR unit is controlled via an internal clock which in turn is controlled by the PRF controls. With the toggle switch in the EXT position, the AVR unit requires a 0.2 usec TTL level pulse applied at the SYNC input in order to trigger the output stages. In addition, in this mode, the scope time base must be triggered by the external trigger source.

Fig. 3

BACK PANEL CONTROLS



- (1) FUSED CONNECTOR, VOLTAGE SELECTOR. The detachable power cord is connected at this point. In addition, the removable cord is adjusted to select the desired input operating voltage. The unit also contains the main power fuse (0.5A SB).
- (2) 2.0A SB. This fuse limits the DC prime power supplied to the output stage and will blow in the case of severe overloading.
- (3) MONITOR Output (M1). Provides an attenuated (x10) coincident replica (to 50 ohms) of Channel 1 output.
- (4) MONITOR Output (M2). Provides an attenuated (x10) coincident replica (to 50 ohms) of Channel 2 output.

Fig. 4

SYSTEM BLOCK DIAGRAM

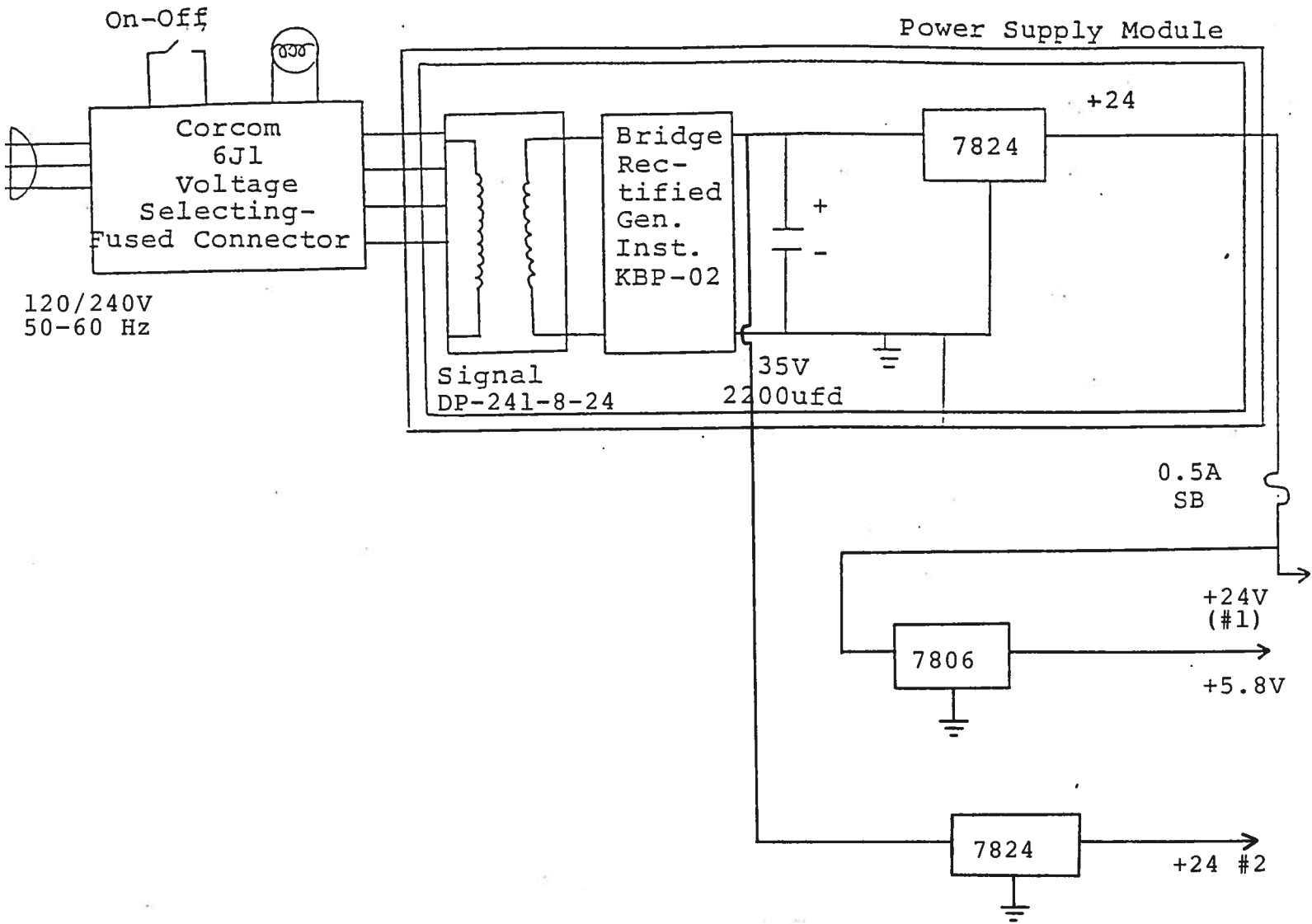
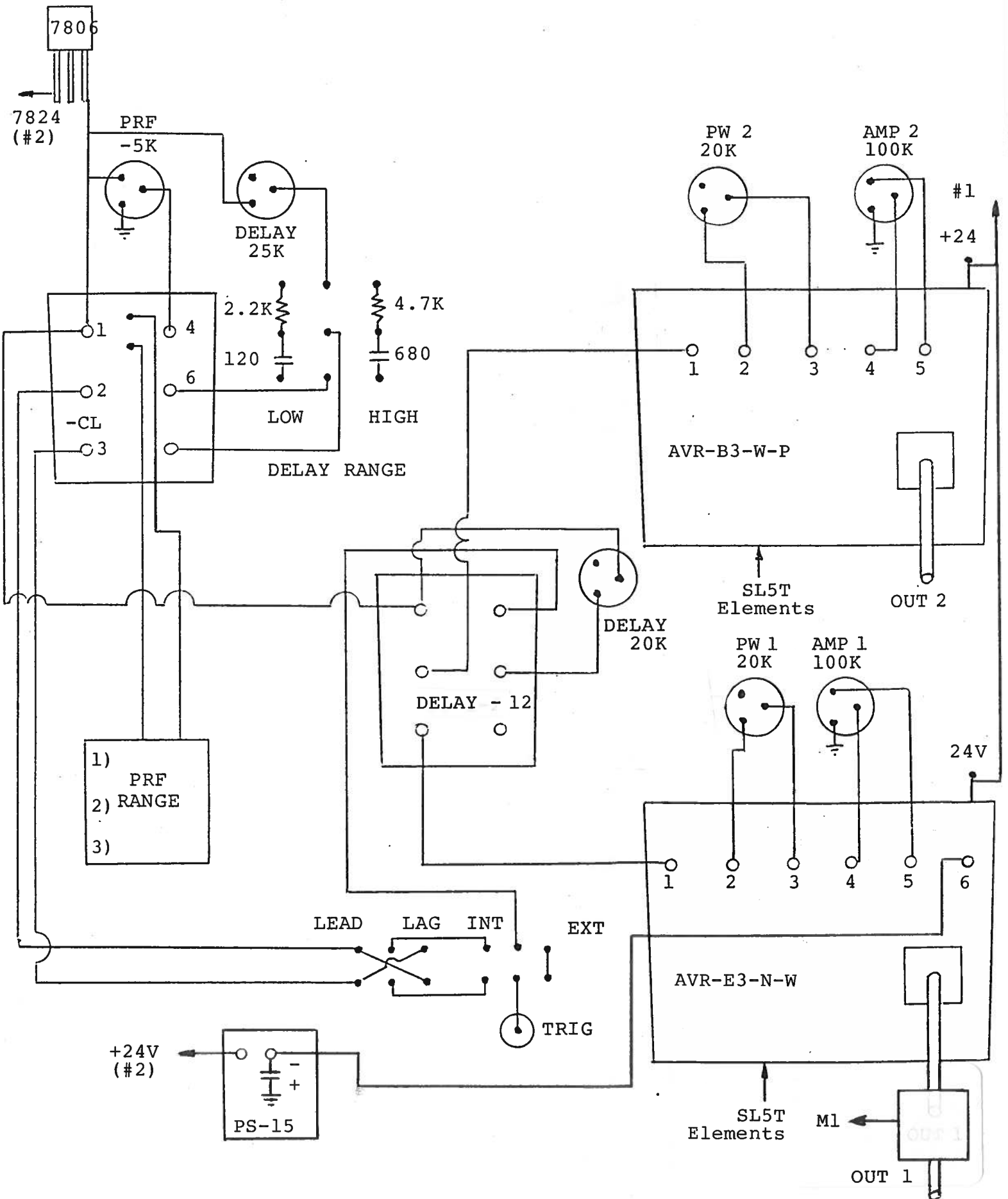


Fig. 5

AVR-EB3-C-TIA BLOCK DIAGRAM



SYSTEM DESCRIPTION AND REPAIR PROCEDURE

The AVR-EB3-C consists of the following basic modules:

- 1) AVR-B3-W-P-PG pulse generator module
- 2) AVR-E3-N-PG pulse generator module
- 3) AVR-EB3-CL clock module
- 4) AVR-EB3-DL-12 delay module
- 5) +24V power supply board

The modules are interconnected as shown in Fig. 4. The clock module controls the output PRF and the relative delay between the Channel 2 output and the SYNC outputs. The delay module controls the delay between Channel 1 and Channel 2 leading edge outputs. The PG pulse generator modules generate the output pulses. In the event of an instrument malfunction, it is most likely that the rear panel 2.0 SB fuse or some of the output switching elements (SL5T) may have failed due to an output short circuit condition or to a high duty cycle condition. The switching elements may be accessed by removing the cover plates on the bottom side of the instrument. NOTE: First turn off the prime power. The elements may be removed from their sockets by means of a needle nosed pliers. The SL5T is a selected VMOS power transistor in a TO 220 package and may be checked on a curve tracer. If defective, replacement units should be ordered directly from Avtech. When replacing the SL5T switching elements, take care to insure that the short lead (of the three leads) is adjacent to the black dot on the chassis. If the switching elements are not defective, then the four Phillips screws on the back panel should be removed. The top cover may then be slid off and operation of the clock and power supply modules should be checked. The clock module is functioning properly if:

- a) 0.1 usec TTL level outputs are observed at pins 2 and 3.
- b) The PRF of the outputs can be varied over the range of 5 Hz to 5 KHz using the PRF and PRF RANGE controls.
- c) The relative delay between the pin 2 and 3 outputs can be varied by at least ± 5 usec by the DELAY controls.

The sealed clock module must be returned to Avtech for repair or replacement if the above conditions are not observed. The power supply board generates +24V DC to power the other modules. If the voltage is less than +24V, turn off the prime power and unsolder the lead from the 7824 regulator chip on the power supply board. Solder a 100 ohm 5 watt resistor to the 7824 output to ground and turn on the prime power. A voltage of +24 volts should be read. If the voltage is less then the power supply board is defective and should be repaired or replaced.

AVTECH ELECTROSYSTEMS LTD.

NANOSECOND WAVEFORM ELECTRONICS
ENGINEERING - MANUFACTURING

P.O. BOX 265
OGDENSBURG
NEW YORK
13669
(315) 472-5270

BOX 5120, STN. "F"
OTTAWA, ONTARIO
CANADA K2C 3H4
TEL: (613) 226-5772
FAX: (613) 226-2802
TELEX: 053-4591

February 8, 1990.

Mr. Bill Moeller MS 8292
Texas Instruments Inc.
P.O. Box 660246
Dallas, TX 75266

214-578-3506

Dear Bill:

With reference to our recent series of telephone conversations, I am pleased to offer a price and delivery quotation for a special purpose pulse generator suitable for your 1N5804 T_{RR} tests:

Model designation: AVR-EB3-TIA-C.

Function: This model comprises 2 pulse generators (No. 1 and No. 2) in one mainframe which are specifically configured and timed to perform the following test:

4031.1 Test Condition B (1N5804 T_{RR})
See Fig. 1.

The 2 channels may be used separately or together to perform a wide variety of other T_{RR} tests.

	<u>Channel 1</u>	<u>Channel 2</u>
Output amplitude: (to 50 ohm)	0 to -100 volts (ten turn locking dial control).	0 to +100 volts (ten turn locking dial control).
Output pulse width:	0.1 to 5.0 usec (ten turn locking dial control).	0.1 to 5.0 usec (ten turn locking dial control).
Rise, fall time:	≤ 0.5 nsec.	≤ 5 nsec.

	<u>Channel 1</u>	<u>Channel 2</u>
) Source impedance:	50 ohms.	2 ohms.
PRF:	5 Hz to 5 KHz. Share common clock. 3 position range switch and one turn fine control.	
Sync out:	TTL, 100 nsec, will drive 50 ohms.	
Delay: (Channel 2 out and to sync out)	0 to <u>+5</u> usec, 2 position range switch and one turn fine control.	
Delay: (Channel 1 leading edge out to Channel 2 leading edge out)	0 to 5 usec via ten turn locking dial control.	
Propagation delay: (EXT trigger in to Channel 2 out)	≤ 100 nsec.	
External trigger:	TTL, PW > 50 nsec.	
Connectors:	BNC. .	
Chassis size:	4" x 12" x 16".	
Prime power:	120/240 V, 50-60 Hz.	
Price:	\$4,990.00 US each, FOB Destination.	
Delivery:	60-90 days ARO.	
Warranty:	1 year standard Avtech warranty.	
Terms:	2% 10, Net 30 days.	
Available options:	A) -EA option: 0 to +10 volts applied to rear panel controls output amplitudes when front panel controls disabled by means of rear panel two position switches. (add \$835.00 US and -EA suffix). B) -EW option: 0 to +10 volts applied to rear panel controls output pulse widths when front panel controls disabled by means of rear panel two position switches. (add \$835.00 US and -EW suffix).	

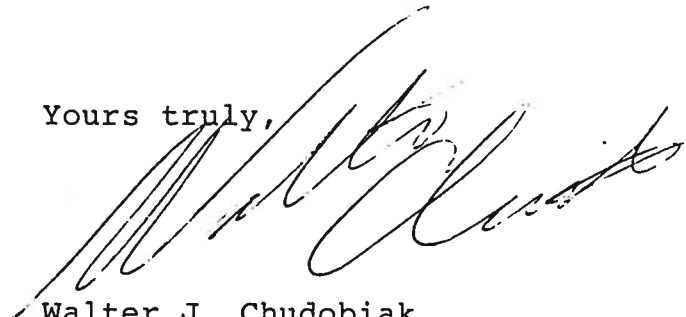
Available options:
(cont'd)

C) -M option:
Two rear panel monitor outputs
provide attenuated (x10) coincident
replicas of outputs.
(add \$354.00 US and -M suffix).

I will send you a TRR waveform for the 1N5804 as soon as I
can obtain a 1N5804.

Thank you for your interest in our products. Please call me
again if you require any additional information or modifications
to the above quotation.

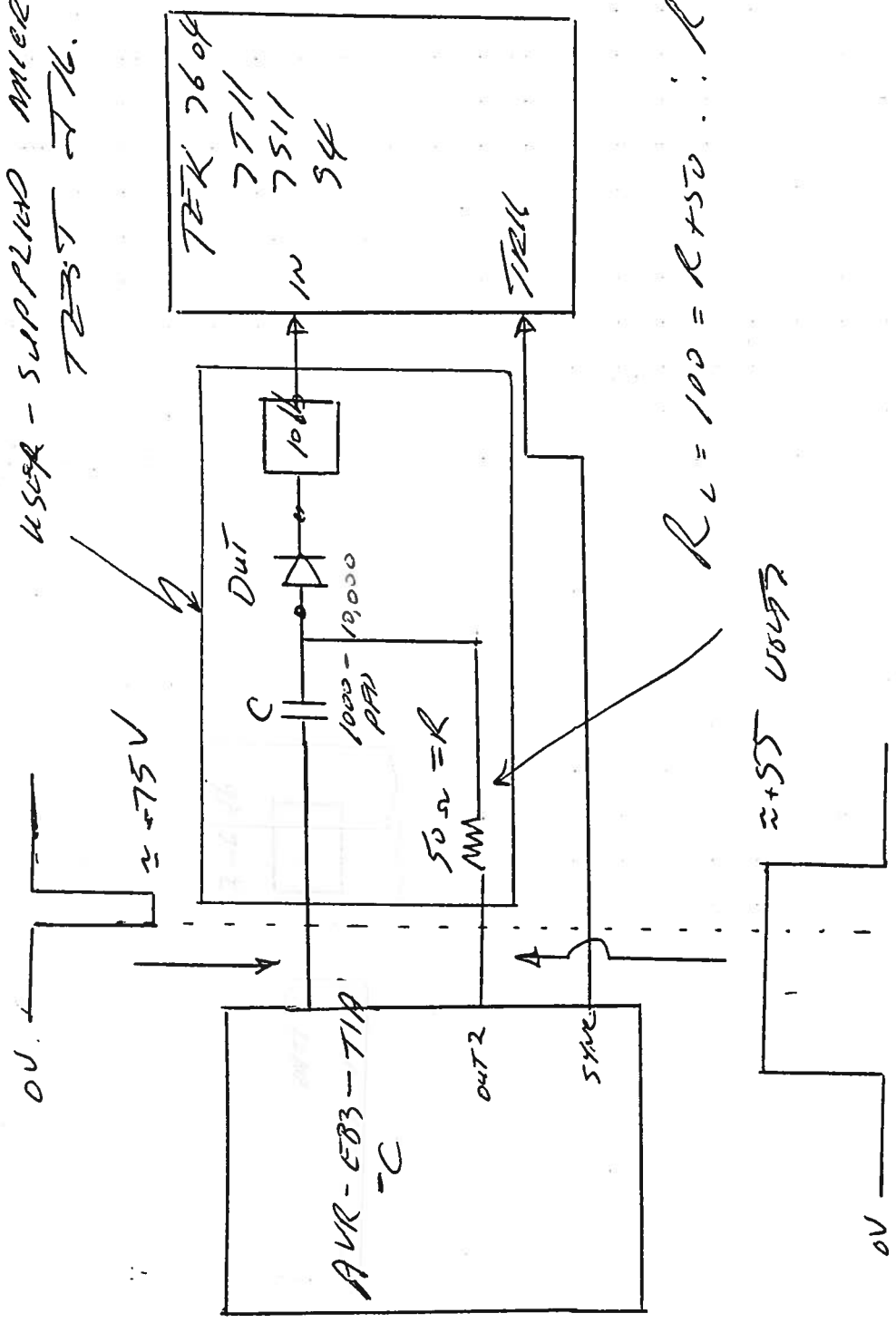
Yours truly,



Walter J. Chudobiak
Chief Engineer

WJC:pr
Encl. Fig. 1, 2

USER - SUPPLIED MICROSTRIPE TEST ATK.



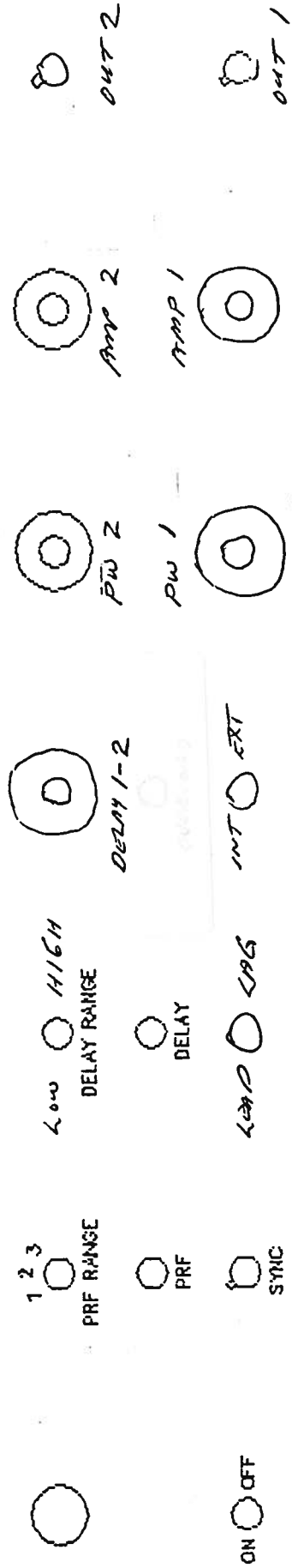
$R_L = 100 = R + 50 \therefore R = 50 \Omega$

FIG 1 IN 5804 TRK, AN E7760 403.1 TEST BOARD B.

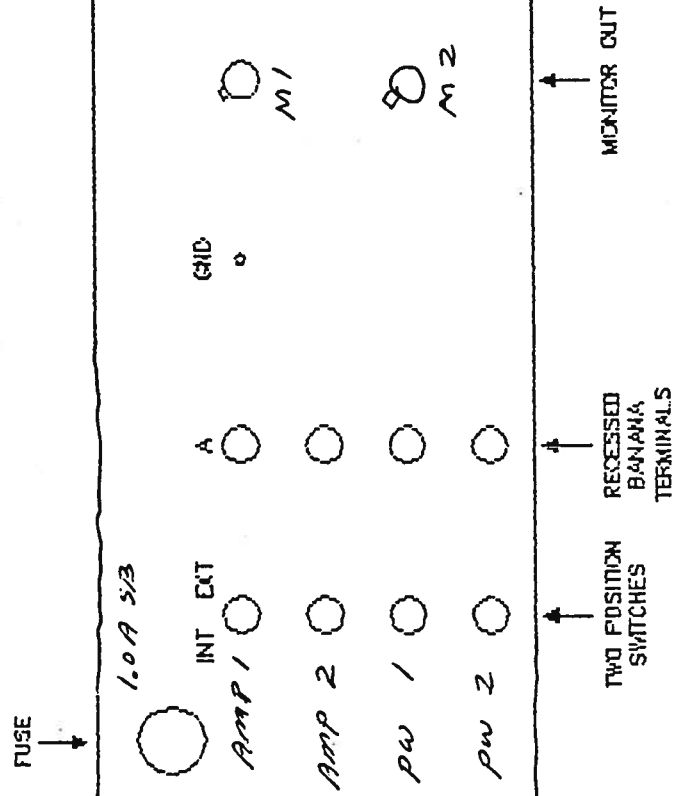
AVTECH AVR-EB3-TIA-C

Rev 3 1996

FRONT PANEL



REAR PANEL (WITH EA, EW, M OPTIONS).



Schroff 08.01.90

- M

10-11-90