



AVTECH ELECTROSYSTEMS LTD.

NANOSECOND WAVEFORM ELECTRONICS
SINCE 1975

P.O. BOX 265
OGDENSBURG, NY
U.S.A. 13669-0265

TEL: 888-670-8729 (USA & Canada) or +1-613-686-6675 (Intl)
FAX: 800-561-1970 (USA & Canada) or +1-613-686-6679 (Intl)

BOX 5120, LCD MERIVALE
OTTAWA, ONTARIO
CANADA K2C 3H5

info@avtechpulse.com - http://www.avtechpulse.com/

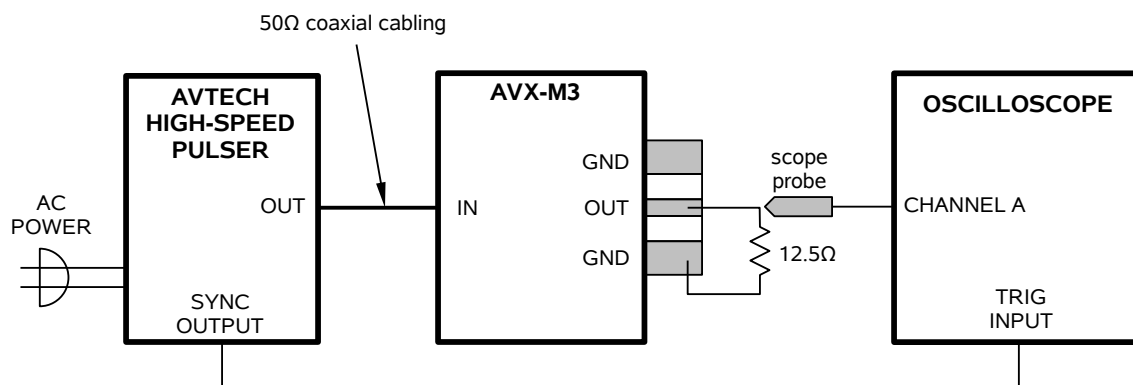
INSTRUCTIONS

MODEL AVX-M3

SPECIFICATIONS

Model:	AVX-M3
Impedance match:	50Ω to 12.5Ω
Max. voltage in	350 V
Max. voltage out	175 V
Max. current out	14 A
Function:	current doubling
Max. pulse width:	100 ns
Rise time (20%-80%):	1 ns
Drop (max):	< 5%
Dimensions:	H × W × D: 38 × 28 × 23mm (1.5" × 1.1" × 0.9")
Connectors:	In: SMA Out: Microstrip line, with ground plane bordering the output center conductor

USAGE



Notes:

1. The 12.5 Ohm load should be soldered between the OUT and GND pads. Use limited heat to avoid de-laminating the circuit board.