



AVTECH ELECTROSYSTEMS LTD.

NANOSECOND WAVEFORM ELECTRONICS  
SINCE 1975

info@avtechpulse.com  
<http://www.avtechpulse.com/>

Tel: 888-670-8729 (USA & Canada)  
or +1-613-686-6675 (Worldwide)

BOX 5120, LCD MERIVALE  
OTTAWA, CANADA K2C3H5

## INSTRUCTIONS

MODEL AVRH-2-B, 2 KILOVOLT

MODEL AVRH-3-B, 3 KILOVOLT

HIGH PERFORMANCE PULSE GENERATORS

WITH IEEE 488.2 / RS-232 / ETHERNET CONTROL

SERIAL NUMBER: 14555

### WARRANTY

Avtech Electrosystems Ltd. warrants products of its manufacture to be free from defects in material and workmanship under conditions of normal use. If, within one year after delivery to the original owner, and after prepaid return by the original owner, this Avtech product is found to be defective, Avtech shall at its option repair or replace said defective item. This warranty does not apply to units which have been disassembled, modified or subjected to conditions exceeding the applicable specifications or ratings. This warranty is the extent of the obligation assumed by Avtech with respect to this product and no other warranty or guarantee is either expressed or implied.

### TECHNICAL SUPPORT

Phone: 888-670-8729 (USA & Canada)  
or +1-613-686-6675 (Worldwide)

E-mail: [info@avtechpulse.com](mailto:info@avtechpulse.com)  
World Wide Web: <http://www.avtechpulse.com>

## TABLE OF CONTENTS

|   |           |
|---|-----------|
| <b>WARRANTY</b> .....                       | <b>2</b>  |
| <b>TECHNICAL SUPPORT</b> .....              | <b>2</b>  |
| <b>TABLE OF CONTENTS</b> .....              | <b>3</b>  |
| <b>INTRODUCTION</b> .....                   | <b>6</b>  |
| <b>AVAILABLE OPTIONS</b> .....              | <b>6</b>  |
| <b>HIGH-VOLTAGE PRECAUTIONS</b> .....       | <b>7</b>  |
| <b>SPECIFICATIONS</b> .....                 | <b>8</b>  |
| <b>REGULATORY NOTES</b> .....               | <b>9</b>  |
| <b>FCC PART 18</b> .....                    | <b>9</b>  |
| <b>EC DECLARATION OF CONFORMITY</b> .....   | <b>9</b>  |
| <b>DIRECTIVE 2011/65/EU (RoHS)</b> .....    | <b>10</b> |
| <b>DIRECTIVE 2002/96/EC (WEEE)</b> .....    | <b>10</b> |
| <b>FIRMWARE LICENSING</b> .....             | <b>11</b> |
| <b>INSTALLATION</b> .....                   | <b>12</b> |
| <b>VISUAL CHECK</b> .....                   | <b>12</b> |
| <b>POWER RATINGS</b> .....                  | <b>12</b> |
| <b>CONNECTION TO THE POWER SUPPLY</b> ..... | <b>12</b> |
| <b>PROTECTION FROM ELECTRIC SHOCK</b> ..... | <b>13</b> |
| <b>ENVIRONMENTAL CONDITIONS</b> .....       | <b>14</b> |
| <b>LABVIEW DRIVERS</b> .....                | <b>14</b> |
| <b>FUSES</b> .....                          | <b>15</b> |
| <b>AC FUSE REPLACEMENT</b> .....            | <b>15</b> |
| <b>DC FUSE REPLACEMENT</b> .....            | <b>16</b> |
| <b>FUSE RATINGS</b> .....                   | <b>16</b> |
| <b>FRONT PANEL CONTROLS</b> .....           | <b>17</b> |
| <b>REAR PANEL CONTROLS</b> .....            | <b>19</b> |
| <b>GENERAL INFORMATION</b> .....            | <b>21</b> |
| <b>BASIC PULSE CONTROL</b> .....            | <b>21</b> |
| <b>TRIGGER MODES</b> .....                  | <b>23</b> |
| <b>PULSE WIDTH MODES</b> .....              | <b>23</b> |
| <b>GATING MODES</b> .....                   | <b>23</b> |
| <b>SYSTEM DESCRIPTION</b> .....             | <b>24</b> |
| <b>AUDIBLE HUM</b> .....                    | <b>24</b> |

|  |           |
|--|-----------|
| CABLE LENGTHS (KEEP THEM SHORT).....                                   | 24        |
| <b>OPTIONAL FEATURES.....</b>  | <b>25</b> |
| RACK MOUNTING, "-R5" OPTION.....                                       | 25        |
| ADPT1 ADAPTER KIT.....   | 25        |
| <b>PROTECTING YOUR INSTRUMENT.....</b>                                 | <b>26</b> |
| TURN OFF INSTRUMENT WHEN NOT IN USE.....                               | 26        |
| DO NOT EXCEED 1 kHz.....   | 26        |
| REDUCE FREQUENCY AND PULSE WIDTH.....                                  | 26        |
| USE A HIGH-IMPEDANCE LOAD.....   | 26        |
| <b>OPERATIONAL CHECK.....</b>  | <b>27</b> |
| <b>PROGRAMMING YOUR PULSE GENERATOR.....</b>                           | <b>31</b> |
| KEY PROGRAMMING COMMANDS.....  | 31        |
| ALL PROGRAMMING COMMANDS.....  | 32        |
| <b>MECHANICAL INFORMATION.....</b>                                     | <b>34</b> |
| TOP COVER REMOVAL.....   | 34        |
| RACK MOUNTING.....   | 34        |
| ELECTROMAGNETIC INTERFERENCE.....                                      | 34        |
| <b>MAINTENANCE.....</b>  | <b>35</b> |
| REGULAR MAINTENANCE.....   | 35        |
| CLEANING.....  | 35        |
| <b>WIRING DIAGRAMS.....</b>  | <b>36</b> |
| WIRING OF AC POWER.....  | 36        |
| PCB 158R7 - LOW VOLTAGE POWER SUPPLY.....                              | 37        |
| PCB 170C - HIGH-VOLTAGE POWER SUPPLY.....                              | 38        |
| PCB 183A-S AND 183A-P CAPACITOR BANKS.....                             | 39        |
| PCB 104H - KEYPAD / DISPLAY BOARD.....                                 | 40        |
| PCB 295G - MAIN CONTROL BOARD, 1 OF 13, TOP-LEVEL.....                 | 41        |
| PCB 295G - MAIN CONTROL BOARD, 2 OF 13, MICROCONTROLLER TOP-LEVEL..... | 42        |
| PCB 295G - MAIN CONTROL BOARD, 3 OF 13, EMBEDDED CONTROLLER.....       | 43        |
| PCB 295G - MAIN CONTROL BOARD, 4 OF 13, GPIB INTERFACE.....            | 44        |
| PCB 295G - MAIN CONTROL BOARD, 5 OF 13, DACs.....                      | 45        |
| PCB 295G - MAIN CONTROL BOARD, 6 OF 13, TIMING TOP-LEVEL.....          | 46        |
| PCB 295G - MAIN CONTROL BOARD, 7 OF 13, GATE CIRCUIT.....              | 47        |
| PCB 295G - MAIN CONTROL BOARD, 8 OF 13, OSCILLATOR.....                | 48        |
| PCB 295G - MAIN CONTROL BOARD, 9 OF 13, TTL OUTPUTS.....               | 49        |

**PCB 295G - MAIN CONTROL BOARD, 10 OF 13, DELAY CIRCUITS.....50**  
**PCB 295G - MAIN CONTROL BOARD, 11 OF 13, PULSE WIDTH CIRCUIT.....51**  
**PCB 295G - MAIN CONTROL BOARD, 12 OF 13, TRIGGER SELECT.....52**  
**PCB 295G - MAIN CONTROL BOARD, 13 OF 13, SHIFT REGISTERS.....53**  
**MAIN WIRING..... 54**  
***PERFORMANCE CHECKSHEET..... 55***

Manual Reference: /files/server1/officefiles/instructword/avr/AVRH,sn14555.odt.  
Last modified February 28, 2025.  
Copyright © 2025 Avtech Electrosystems Ltd, All Rights Reserved.

## INTRODUCTION

Model AVRH-2-B is a high performance, GPIB/RS232/Ethernet-equipped instrument capable of generating 2000V into loads of 10 k $\Omega$  or higher, at repetition rates up to 1 kHz. The output pulse width is variable from 200 to 2500 ns, and the sync delay is variable up to  $\pm 1.0$  seconds. The rise time is fixed at less than 80 ns (20%-80%).

Model AVRH-3-B is similar, but operates at amplitudes up to 3000V, with 100 ns (20%-80%) rise and fall times.

Instruments with the "-P" model suffix can generate positive voltages, whereas instruments with the "-N" model suffix can generate negative voltages. Instruments with the "-PN" suffix can generate both polarities.

This pulse generator is a highly flexible instrument. Aside from the internal trigger source, it can also be triggered or gated by external TTL-level signals. A front-panel pushbutton or a computer command can also be used to trigger the instrument.

The pulser features front panel keyboard and adjust knob control of the output pulse parameters along with a four line by 40-character backlit LCD display of the output amplitude, pulse width, pulse repetition frequency, and delay. The instrument includes memory to store up to four complete instrument setups. The operator may use the front panel or the computer interface to store a complete "snapshot" of all key instrument settings, and recall this setup at a later time.

This instrument is intended for use in research, development, test and calibration laboratories by qualified personnel.

## AVAILABLE OPTIONS


The AVRH-2-B / AVRH-3-B is available with the follow options:

-ADPT1 Option: The ADPT1 adapter kit provides an SHV PLUG to MHV FEMALE adapter and an MHV MALE to BNC FEMALE adapter.

-R5 Option: This is the optional rack-mounting kit. The R5 rack-mount kit may also be ordered separately.

-SIL Option: This option adds a safety lock circuit on a rear-panel BNC connector. The signal pin of this safety lock BNC connector must be shorted to chassis ground by the user's circuitry (the short must be capable of carrying 5 mA of current from an internal +5V/1k $\Omega$  DC source), otherwise the output will be switched off automatically. The connector shield is connected to chassis ground.

## HIGH-VOLTAGE PRECAUTIONS

 **CAUTION:** This instrument provides output voltages as high as  $\pm 3000$  Volts, so extreme caution must be employed when using this instrument. The instrument should only be used by individuals who are thoroughly skilled in high voltage laboratory techniques. The following precaution should always be observed:

1. Keep exposed high-voltage wiring to an absolute minimum.
2. Wherever possible, use shielded connectors and cabling.
3. Connect and disconnect loads and cables only when the instrument is turned off.
4. Keep in mind that all cables, connectors, oscilloscope probes, and loads must have an appropriate voltage rating.
5. Do not attempt any repairs on the instrument, beyond the fuse replacement procedures described in this manual. Contact Avtech technical support (see page 2 for contact information) if the instrument requires servicing.

## SPECIFICATIONS

|   |   |                    |
|---|---|--------------------|
| Model <sup>1</sup> :  | AVRH-2-B  | AVRH-3-B           |
| Amplitude (to R $\geq$ 10 k $\Omega$ ):                               | < 20 to 2000 Volts  | < 30 to 3000 Volts |
| Rise / fall times (20%-80%) <sup>2</sup> :                            | $\leq$ 80 ns  | $\leq$ 100 ns      |
| Pulse width (FWHM):   | 200 ns to 2.5 $\mu$ s   |                    |
| PRF:  | Internal trigger: 1 Hz to 1 kHz. External trigger: 0 Hz to 1 kHz.   |                    |
| Polarity <sup>3</sup> :   | Positive or negative or both (specify)  |                    |
| GPIO and RS-232 control <sup>1</sup> :                                | Yes (standard on -B units)  |                    |
| LabView Drivers:  | Check <a href="http://www.avtechpulse.com/labview">http://www.avtechpulse.com/labview</a> for availability and downloads  |                    |
| Ethernet port, for remote control using VXI-11.3, ssh, telnet, & web: | Included. Recommended as a modern alternative to GPIO / RS-232.<br>See <a href="http://www.avtechpulse.com/options/vxi">http://www.avtechpulse.com/options/vxi</a> for details.   |                    |
| Settings resolution:  | The resolution of the timing parameters (pulse width, delay, period) varies, but is always better than 0.15% of ( set value  + 20 ns).<br>The amplitude resolution is < 0.1% of the maximum amplitude.  |                    |
| Settings accuracy:  | Typically $\pm$ 3% (plus $\pm$ 1V or $\pm$ 2 ns) after 10 minute warmup.<br>For high-accuracy applications requiring traceable calibration, verify the output parameters with a calibrated oscilloscope <sup>4</sup> .  |                    |
| Propagation delay:  | $\leq$ 200 ns (Ext trig in to pulse out)  |                    |
| Jitter:   | $\pm$ 100 ps $\pm$ 0.03% of sync delay (Ext trig in to pulse out)   |                    |
| Trigger modes:  | Internal trigger, external trigger (TTL level pulse, > 10 ns, 1 k $\Omega$ input impedance), front-panel "Single Pulse" pushbutton, or single pulse trigger via computer command.<br>In the external trigger mode, the pulse width may be set by the instrument, or it may be set to track the input pulse width. |                    |
| Variable delay:   | Sync to main out: 0 to 1.0 seconds, for all trigger modes (including external trigger).   |                    |
| Sync output:  | > +3 Volts, > 50 ns, will drive 50 Ohm loads  |                    |
| Gated operation:  | Synchronous or asynchronous, active high or low, switchable.<br>Suppresses triggering when active.  |                    |
| Connectors:   | Out: SHV <sup>5,6</sup> Trig, Sync, Gate: BNC   |                    |
| Power requirements:   | 100 - 240 Volts, 50 - 60 Hz   |                    |
| Dimensions (H x W x D):   | 100 mm x 430 mm x 375 mm (3.9" x 17" x 14.8")   |                    |
| Chassis material:   | cast aluminum frame and handles, blue vinyl on aluminum cover plates  |                    |
| Mounting:   | Any   |                    |
| Temperature range:  | +5°C to + 40°C  |                    |

1) Provides IEEE-488.2 GPIO and RS-232 control of amplitude, pulse width, polarity, PRF and delay. (See <http://www.avtechpulse.com/gpio> for details).

2) For output coaxial cable lengths of less than 3 feet / 1 meter. Longer cable lengths will degrade the rise and fall times.

3) Indicate desired polarity by suffixing model number with -P or -N (i.e. positive or negative) or -PN for dual polarity option.

4) These instruments are provided with a basic calibration checklist, showing a selection of measured output parameters. These measurements are performed with equipment that is calibrated on a regular basis by a third-party ISO/IEC 17025:2005 accredited calibration laboratory. However, Avtech itself does not claim any accreditation. For applications requiring traceable performance, use a calibrated measurement system rather than relying on the accuracy of the pulse generator settings.

5) MHV or HN output connectors can also be provided. To specify, suffix the model number with -MHV or -HN as required.

6) An adapter kit, consisting of an SHV PLUG to MHV FEMALE adapter and an MHV MALE to BNC FEMALE adapter, is available. Add the suffix -ADPT1 to the model number to order this kit.



## REGULATORY NOTES

### FCC PART 18

This device complies with part 18 of the FCC rules for non-consumer industrial, scientific and medical (ISM) equipment.

This instrument is enclosed in a rugged metal chassis and uses a filtered power entry module (where applicable). The main output signal is provided on a shielded connector that is intended to be used with shielded coaxial cabling and a shielded load. Under these conditions, the interference potential of this instrument is low.

If interference is observed, check that appropriate well-shielded cabling is used on the output connectors. Contact Avtech ([info@avtechpulse.com](mailto:info@avtechpulse.com)) for advice if you are unsure of the most appropriate cabling. Also, check that your load is adequately shielded. It may be necessary to enclose the load in a metal enclosure.

If any of the connectors on the instrument are unused, they should be covered with shielded metal “dust caps” to reduce the interference potential.

This instrument does not normally require regular maintenance to minimize interference potential. However, if loose hardware or connectors are noted, they should be tightened. Contact Avtech ([info@avtechpulse.com](mailto:info@avtechpulse.com)) if you require assistance.

### EC DECLARATION OF CONFORMITY



We                    Avtech Electrosystems Ltd.  
                          P.O. Box 5120, LCD Merivale  
                          Ottawa, Ontario  
                          Canada K2C 3H5

declare that this pulse generator meets the intent of Directive 2014/30/EU for Electromagnetic Compatibility. Compliance pertains to the following specifications as listed in the official Journal of the European Communities:

EN 50081-1 Emission

EN 50082-1 Immunity

and that this pulse generator meets the intent of the Low Voltage Directive 2014/35/EU. Compliance pertains to the following specifications as listed in the official Journal of the European Communities:

EN 61010-1:2010+A1:2019, Safety requirements for electrical equipment for measurement, control, and laboratory use

DIRECTIVE 2011/65/EU (RoHS)

We Avtech Electrosystems Ltd.  
P.O. Box 5120, LCD Merivale  
Ottawa, Ontario  
Canada K2C 3H5

declare that, to the best of our knowledge, all electrical and electronic equipment (EEE) sold by the company are in compliance with Directive 2011/65/EU of the European Parliament and of the Council of 8 June 2011 on the restriction of the use of certain hazardous substances in electrical and electronic equipment (also known as “RoHS Recast”). In addition, this declaration of conformity is issued under the sole responsibility of Avtech Electrosystems Ltd. Specifically, products manufactured do not contain the substances listed in the table below in concentrations greater than the listed maximum value.

| <i>Material/Substance</i>             | <i>Threshold level</i>    |
|---------------------------------------|---------------------------|
| Lead (Pb)                             | < 1000 ppm (0.1% by mass) |
| Mercury (Hg)                          | < 1000 ppm (0.1% by mass) |
| Hexavalent Chromium (Cr6+)            | < 1000 ppm (0.1% by mass) |
| Polybrominated Biphenyls (PBB)        | < 1000 ppm (0.1% by mass) |
| Polybrominated Diphenyl ethers (PBDE) | < 1000 ppm (0.1% by mass) |
| Cadmium (Cd)                          | < 100 ppm (0.01% by mass) |
| Bis(2-ethylhexyl) phthalate (DEHP)    | < 1000 ppm (0.1% by mass) |
| Butyl benzyl phthalate (BBP)          | < 1000 ppm (0.1% by mass) |
| Dibutyl phthalate (DBP)               | < 1000 ppm (0.1% by mass) |
| Diisobutyl phthalate (DIBP)           | < 1000 ppm (0.1% by mass) |

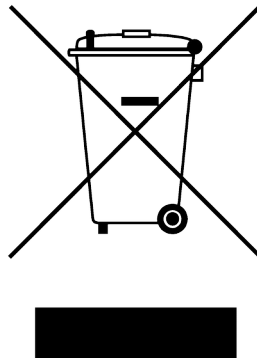
DIRECTIVE 2002/96/EC (WEEE)

European customers who have purchased this equipment directly from Avtech will have completed a “WEEE Responsibility Agreement” form, accepting responsibility for WEEE

compliance (as mandated in Directive 2002/96/EC of the European Union and local laws) on behalf of the customer, as provided for under Article 9 of Directive 2002/96/EC.

Customers who have purchased Avtech equipment through local representatives should consult with the representative to determine who has responsibility for WEEE compliance. Normally, such responsibilities will lie with the representative, unless other arrangements (under Article 9) have been made.

Requirements for WEEE compliance may include registration of products with local governments, reporting of recycling activities to local governments, and financing of recycling activities.



## FIRMWARE LICENSING

This instrument uses open-source software internally, and is built on a Fedora Linux operating system.

Some of this software requires that the source code be made available to the user as a condition of its licensing. The source code for programs used by Fedora is freely available at <https://src.fedoraproject.org/>.

The source code for modifications implemented by Avtech, and for Avtech-specific programs, is available at <https://www.avtechpulse.com/cgit/Instrument.git/>.

## INSTALLATION

### VISUAL CHECK

After unpacking the instrument, examine to ensure that it has not been damaged in shipment. Visually inspect all connectors, knobs, liquid crystal displays (LCDs), and the handles. Confirm that a power cord, a GPIB cable, and two instrumentation manuals (this manual and the “Programming Manual for -B Instruments”) are with the instrument. If the instrument has been damaged, file a claim immediately with the company that transported the instrument.

### POWER RATINGS


This instrument is intended to operate from 100 - 240 V, 50 - 60 Hz.

The maximum power consumption is 57 Watts. Please see the “FUSES” section for information about the appropriate AC and DC fuses.

This instrument is an “Installation Category II” instrument, intended for operation from a normal single-phase supply.

### CONNECTION TO THE POWER SUPPLY


An IEC-320 three-pronged recessed male socket is provided on the back panel for AC power connection to the instrument. One end of the detachable power cord that is supplied with the instrument plugs into this socket. The other end of the detachable power cord plugs into the local mains supply. Use only the cable supplied with the instrument. The mains supply must be earthed, and the cord used to connect the instrument to the mains supply must provide an earth connection. (The supplied cord does this.)

 Warning: Failure to use a grounded outlet may result in injury or death due to electric shock. This product uses a power cord with a ground connection. It must be connected to a properly grounded outlet. The instrument chassis is connected to the ground wire in the power cord.

The table below describes the power cord that is normally supplied with this instrument, depending on the destination region:

| Destination Region                             | Description                           | Option | Manufacturer | Part Number |
|--|---------------------------------------|--------|--------------|-------------|
| United Kingdom, Hong Kong, Singapore, Malaysia | BS 1363, 230V, 50 Hz                  | -AC00  | Qualtek      | 370001-E01  |
| Australia, New Zealand                         | AS 3112:2000, 230-240V, 50 Hz         | -AC01  | Qualtek      | 374003-A01  |
| Continental Europe, Korea, Indonesia, Russia   | European CEE 7/7 "Schuko" 230V, 50 Hz | -AC02  | Qualtek      | 364002-D01  |
| North America, Taiwan                          | NEMA 5-15, 120V, 60 Hz                | -AC03  | Qualtek      | 312007-01   |
| Switzerland                                    | SEV 1011, 230V, 50 Hz                 | -AC06  | Qualtek      | 378001-E01  |
| South Africa, India                            | SABS 164-1, 220-250V, 50 Hz           | -AC17  | Volex        | 2131H 10 C3 |
| Japan  | JIS 8303, 100V, 50-60 Hz              | -AC18  | Qualtek      | 397002-01   |
| Israel   | SI 32, 220V, 50 Hz                    | -AC19  | Qualtek      | 398001-01   |
| China  | GB 1002-1 / 2099-1, 220V, 50 Hz       | -AC22  | Qualtek      | 399012-01   |

## PROTECTION FROM ELECTRIC SHOCK

 Operators of this instrument must be protected from electric shock at all times. The owner must ensure that operators are prevented access and/or are insulated from every connection point. In some cases, connections must be exposed to potential human contact. Operators must be trained to protect themselves from the risk of electric shock. This instrument is intended for use by qualified personnel who recognize shock hazards and are familiar with safety precautions required to avoid possibly injury. In particular, operators should:

1. Keep exposed high-voltage wiring to an absolute minimum.
2. Wherever possible, use shielded connectors and cabling.
3. Connect and disconnect loads and cables only when the instrument is turned off.
4. Keep in mind that all cables, connectors, oscilloscope probes, and loads must have an appropriate voltage rating.
5. Do not attempt any repairs on the instrument, beyond the fuse replacement procedures described in this manual. Contact Avtech technical support (see page 2 for contact information) if the instrument requires servicing. Service is to be performed solely by qualified service personnel.

## ENVIRONMENTAL CONDITIONS

This instrument is intended for use under the following conditions:

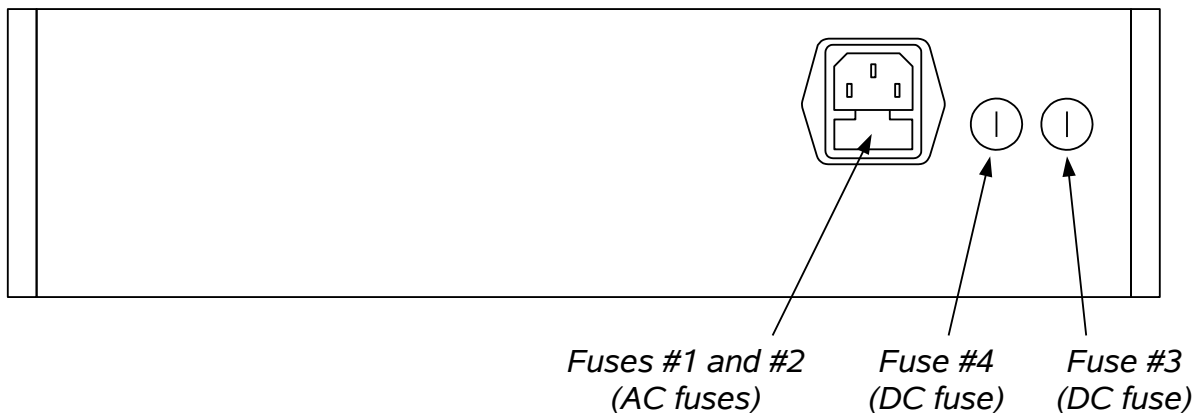
1. indoor use;
2. altitude up to 2 000 m;
3. temperature 5 °C to 40 °C;
4. maximum relative humidity 80 % for temperatures up to 31 °C decreasing linearly to 50 % relative humidity at 40 °C;
5. Mains supply voltage fluctuations up to  $\pm 10$  % of the nominal voltage;
6. no pollution or only dry, non-conductive pollution.

## LABVIEW DRIVERS

A LabVIEW driver for this instrument is available for download on the Avtech web site, at <http://www.avtechpulse.com/labview>. A copy is also available in National Instruments' Instrument Driver Library at <http://www.natinst.com/>.

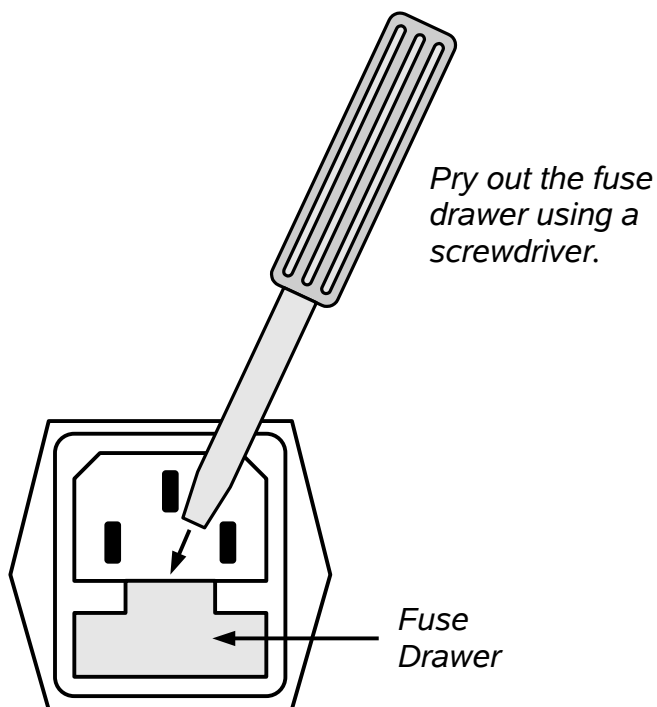
## FUSES

This instrument contains four fuses. All are accessible from the rear-panel. Two protect the AC prime power input, and two protect the internal DC power supplies. The locations of the fuses on the rear panel are shown in the figure below:



### AC FUSE REPLACEMENT

To physically access the AC fuses, the power cord must be detached from the rear panel of the instrument. The fuse drawer may then be extracted using a small flat-head screwdriver, as shown below:



## DC FUSE REPLACEMENT

The DC fuses may be replaced by inserting the tip of a flat-head screwdriver into the fuse holder slot, and rotating the slot counter-clockwise. The fuse and its carrier will then pop out.

## FUSE RATINGS

The following table lists the required fuses for standard models:

| Fuses       | Nominal Mains Voltage | Rating                 | Case Size | Recommended Replacement Part |                       |
|-------------|-----------------------|------------------------|-----------|------------------------------|-----------------------|
|             |                       |                        |           | Littelfuse Part Number       | Digi-Key Stock Number |
| #1, #2 (AC) | 100-240V              | 0.5A, 250V, Time-Delay | 5×20 mm   | 0218.500HXP                  | F2416-ND              |
| #3 (DC)     | N/A                   | 1.0A, 250V, Time-Delay | 5×20 mm   | 0218001.HXP                  | F2419-ND              |
| #4 (DC)     | N/A                   | 1.6A, 250V, Time-Delay | 5×20 mm   | 021801.6HXP                  | F2424-ND              |

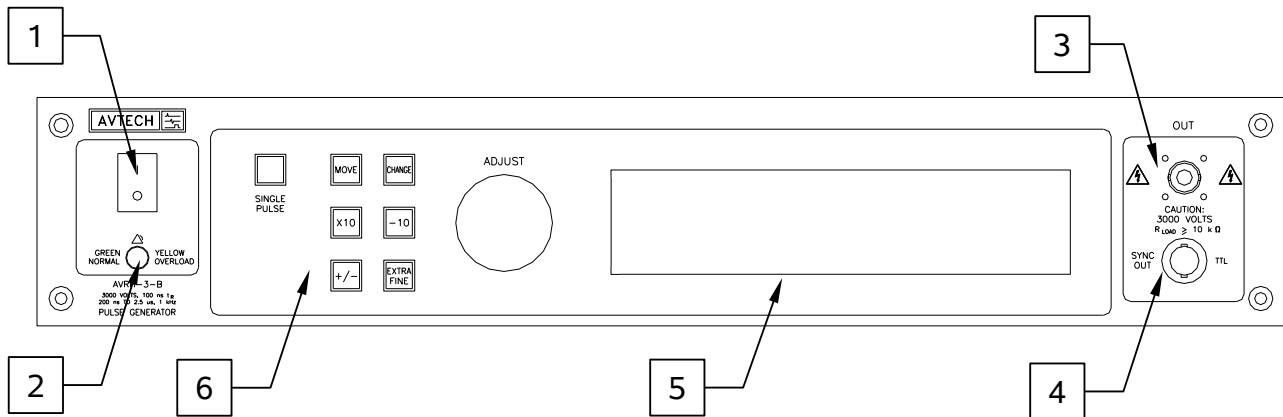
Certain combinations of features may require slightly different fuse ratings. The required fuse ratings will be clearly marked on the rear panel of the instrument.

The recommended fuse manufacturer is Littelfuse (<http://www.littelfuse.com>).

Replacement fuses may be easily obtained from Digi-Key (<http://www.digikey.com>) and other distributors.




## FRONT PANEL CONTROLS



1. **POWER Switch.** This is the main power switch. When turning the instrument on, there is normally a delay of 10 seconds before anything is shown on the main display, as the internal operating system boots up.
2. **OVERLOAD Indicator.** When the instrument is powered, this indicator is normally green, indicating normal operation. If this indicator is yellow, an internal automatic overload protection circuit has been tripped. If the unit is overloaded (by operating at an exceedingly high duty cycle or by operating into a very low impedance), the protective circuit will disable the output of the instrument and turn the indicator light yellow. The light will stay yellow (i.e. output disabled) for about 5 seconds after which the instrument will attempt to re-enable the output (i.e. light green) for about 1 second. If the overload condition persists, the output will be disabled again (i.e. light yellow) for another 5 seconds. If the overload condition has been removed, the instrument will resume normal operation.

This overload indicator may flash yellow briefly at start-up. This is not a cause for concern.

3. **OUT CONNECTOR.** This SHV connector provides the main output signal, into load impedances of 10 k $\Omega$  or higher. (The panel connector will mate to King Model 1705-2 connector for RG58A cable.)

 **Caution:** Voltages as high as  $\pm 3000\text{V}$  may be present on the center conductor of this output connector. Avoid touching this conductor. Connect to this connector using standard coaxial cable, to ensure that the center conductor is not exposed.

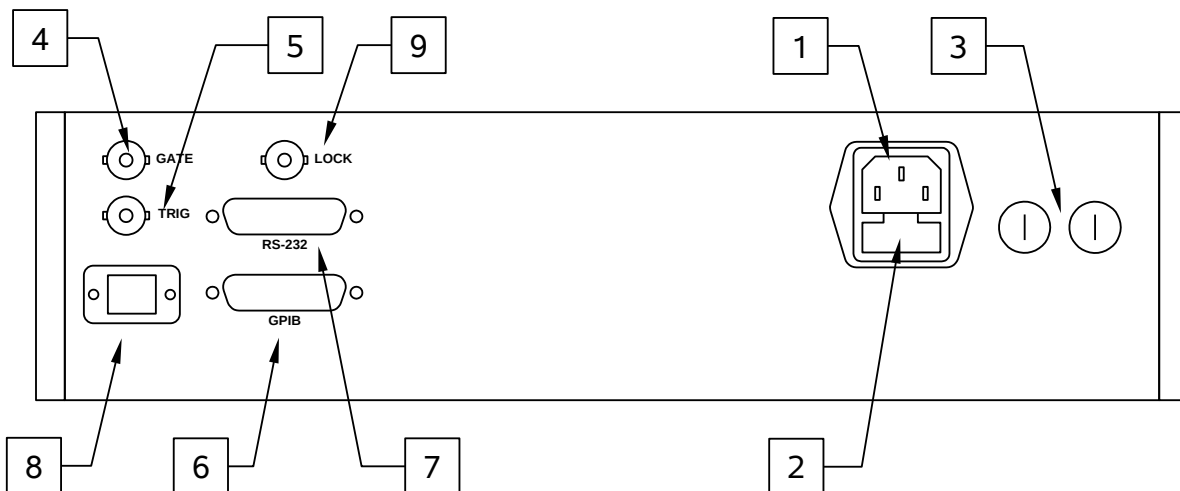
4. **SYNC OUT.** This connector supplies a SYNC output that can be used to trigger other equipment, particularly oscilloscopes. This signal leads (or lags) the main output by a duration set by the "DELAY" controls and has an approximate amplitude of +3 Volts to  $R_L > 1\text{k}\Omega$  with a pulse width of approximately 100 ns.
5. **LIQUID CRYSTAL DISPLAY (LCD).** This LCD is used in conjunction with the keypad to change the instrument settings. Normally, the main menu is displayed, which lists

the key adjustable parameters and their current values. The “Programming Manual for -B Instruments” describes the menus and submenus in detail.

## 6. KEYPAD.

| Control Name | Function  |
|--------------|---|
| MOVE         | This moves the arrow pointer on the display.  |
| CHANGE       | This is used to enter the submenu, or to select the operating mode, pointed to by the arrow pointer.  |
| ×10          | If one of the adjustable numeric parameters is displayed, this increases the setting by a factor of ten.  |
| ÷10          | If one of the adjustable numeric parameters is displayed, this decreases the setting by a factor of ten.  |
| +/-          | If one of the adjustable numeric parameters is displayed, and this parameter can be both positive or negative, this changes the sign of the parameter.  |
| EXTRA FINE   | This changes the step size of the ADJUST knob. In the extra-fine mode, the step size is twenty times finer than in the normal mode. This button switches between the two step sizes.  |
| ADJUST       | This large knob adjusts the value of any displayed numeric adjustable values, such as frequency, pulse width, etc. The adjust step size is set by the "EXTRA FINE" button.<br><br>When the main menu is displayed, this knob can be used to move the arrow pointer. |

## REAR PANEL CONTROLS



*Note: some connectors may be in different positions than shown above, depending on the exact combination of options ordered.*

1. AC POWER INPUT. An IEC-320 C14 three-pronged recessed male socket is provided on the back panel for AC power connection to the instrument. One end of the detachable power cord that is supplied with the instrument plugs into this socket.
2. AC FUSE DRAWER. The two fuses that protect the AC input are located in this drawer. Please see the “FUSES” section of this manual for more information.
3. DC FUSES. These two fuses protect the internal DC power supplies. Please see the “FUSES” sections of this manual for more information.
4. GATE. This TTL-level (0 and +5V) logic input can be used to gate the triggering of the instrument. This input can be either active high or active low, depending on the front panel settings or programming commands. (The instrument triggers normally when this input is unconnected). When set to active high mode, this input is pulled-down to ground by a 1 k $\Omega$  resistor. When set to active low mode, this input is pulled-up to +5V by a 1 k $\Omega$  resistor.
5. TRIG. This TTL-level (0 and +5V) logic input can be used to trigger the instrument, if the instrument is set to triggering externally. The instrument triggers on the rising edge of this input. The input impedance of this input is 1 k $\Omega$ . (Depending on the length of cable attached to this input, and the source driving it, it may be desirable to add a coaxial 50 Ohm terminator to this input to provide a proper transmission line termination. The Pasternack ([www.pasternack.com](http://www.pasternack.com)) PE6008-50 BNC feed-thru 50 Ohm terminator is suggested for this purpose.)

When triggering externally, the instrument can be set such that the output pulse width tracks the pulse width on this input, or the output pulse width can be set independently.

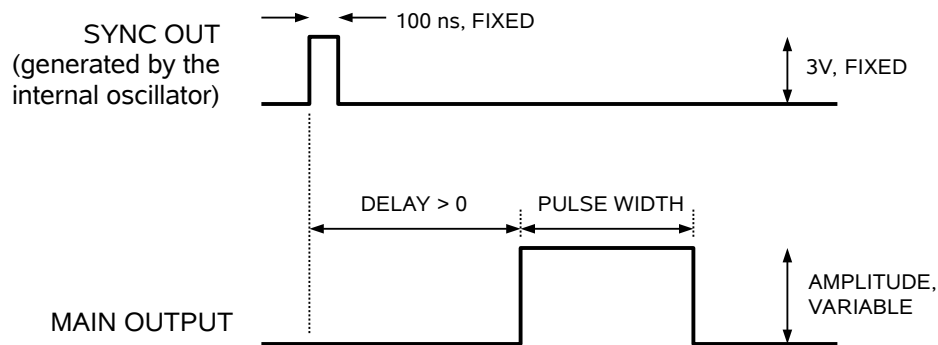
6. GPIB Connector. A standard GPIB cable can be attached to this connector to allow the instrument to be computer-controlled. See the “Programming Manual for -B Instruments” for more details on GPIB control.
7. RS-232 Connector. A standard serial cable with a 25-pin male connector can be attached to this connector to allow the instrument to be computer-controlled. A user name (“admin”) and a password (“default”, as shipped from the factory) are required when logging into a serial terminal session. The internal controller attempts to auto-sense the parity setting. It may be necessary to send a few return characters before attempting a login in order to provide enough data to allow this auto-sensing to work. (A standard Linux “agetty” process is used to implement serial control internally.) See the “Programming Manual for -B Instruments” for more details on RS-232 control.
8. Network Connector. This Ethernet connector allows the instrument to be remotely controlled using the VXI-11.3, ssh (secure shell), telnet, and http (web) protocols. See the “Programming Manual for -B Instruments” for more details.
9. LOCK Connector. (Optional feature. Present on -SIL units only.) The signal pin of this safety lock BNC connector must be shorted to chassis ground by the user’s circuitry (the short must be capable of carrying 5 mA of current from an internal +5V/1k $\Omega$  DC source), otherwise the output will be switched off automatically. The connector shield is connected to chassis ground.

## GENERAL INFORMATION

### BASIC PULSE CONTROL

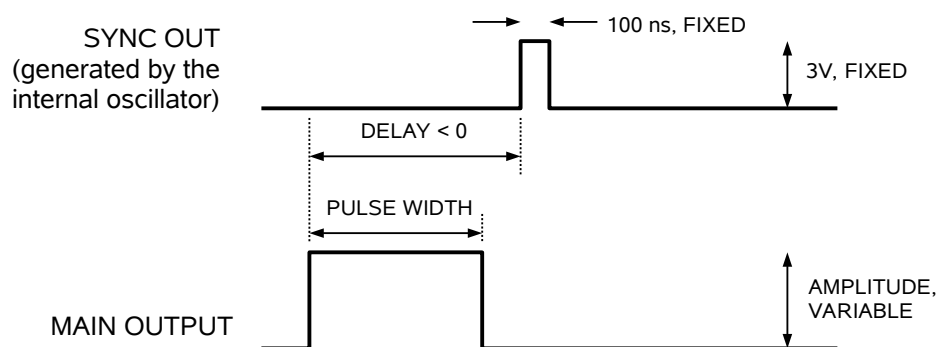
This instrument can be triggered by its own internal clock or by an external TTL trigger signal. In either case, two output channels respond to the trigger: OUT and SYNC. The OUT channel is the signal that is applied to the load. Its amplitude and pulse width are variable. The SYNC pulse is a fixed-width TTL-level reference pulse used to trigger oscilloscopes or other measurement systems. When the delay is set to a positive value the SYNC pulse precedes the OUT pulse. When the delay is set to a negative value the SYNC pulse follows the OUT pulse.

These pulses are illustrated below, assuming internal triggering and a positive delay:



*Figure A*

If the delay is negative, the order of the SYNC and OUT pulses is reversed:



*Figure B*

The next figure illustrates the relationship between the signal when an external TTL-level trigger is used:

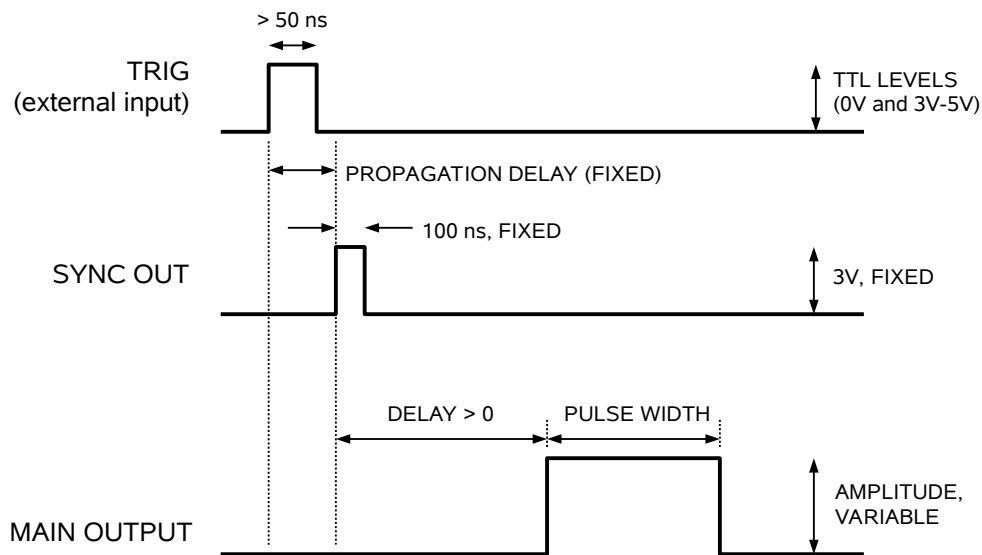


Figure C

As before, if the delay is negative, the order of the SYNC and OUT pulses is reversed.

The last figure illustrates the relationship between the signal when an external TTL-level trigger is used in the  $PW_{IN}=PW_{OUT}$  mode. In this case, the output pulse width equals the external trigger's pulse width (approximately), and the delay circuit is bypassed:

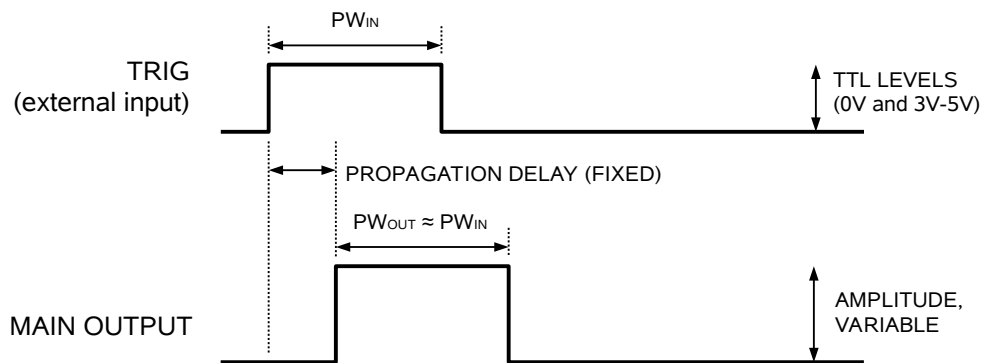


Figure D

The delay, pulse width, and frequency (when in the internal mode), of the OUT pulse can be varied with front panel controls or via the GPIB or RS-232 computer interfaces.

## TRIGGER MODES

This instrument has four trigger modes:

- Internal Trigger: the instrument controls the trigger frequency, and generates the clock internally.
- External Trigger: the instrument is triggered by an external TTL-level clock on the back-panel TRIG connector.
- Manual Trigger: the instrument is triggered by the front-panel “SINGLE PULSE” pushbutton.
- Hold Trigger: the instrument is set to not trigger at all.

These modes can be selected using the front panel trigger menu, or by using the appropriate programming commands. (See the “Programming Manual for -B Instruments” for more details.)

## PULSE WIDTH MODES

This instrument has two pulse width modes:

- Normal: the instrument controls the output pulse width.
- $PW_{IN}=PW_{OUT}$ : the output pulse width equals the pulse width of the trigger signal on the “TRIG” connector. The instrument must be in the external trigger mode.

These modes can be selected using the front panel pulse width menu, or by using the appropriate programming commands. (See the “Programming Manual for -B Instruments” for more details.)

## GATING MODES

Triggering can be suppressed by a TTL-level signal on the rear-panel GATE connector. The instrument can be set to stop triggering when this input high or low, using the front-panel gate menu or the appropriate programming commands. This input can also be set to act synchronously or asynchronously. When set to asynchronous mode, the GATE will disable the output immediately. Output pulses may be truncated. When set to synchronous mode, the output will complete the full pulse width if the output is high, and then stop triggering. No pulses are truncated in this mode.

## SYSTEM DESCRIPTION

The AVRH-2-B / AVRH-3-B generates a 2 or 3 kilovolt pulse by first generating a 500 or 750 Volt pulse of the desired width. This pulse is then supplied to a x4 transformer which increases the output amplitude. DC voltages as high as 800 Volts are employed in the generation of the 750 Volt pulse so extreme caution must be employed when repairing this instrument. It is therefore highly recommended that the unit be returned to Avtech for all repairs beyond the replacement of the rear-panel fuses.

## AUDIBLE HUM

Note that when the amplitude or PRF or PW are increased, the output stage of the unit may emit an audible hum. This noise is normal and is due to the step-up transformer in the output stage.

## CABLE LENGTHS (KEEP THEM SHORT)

The length of cable used to connect the load to the output of the pulse generator should be less than 6 feet (2 meters), and ideally less than 3 feet (1 meter). Longer lengths may degrade the rise and fall times of the output pulse.



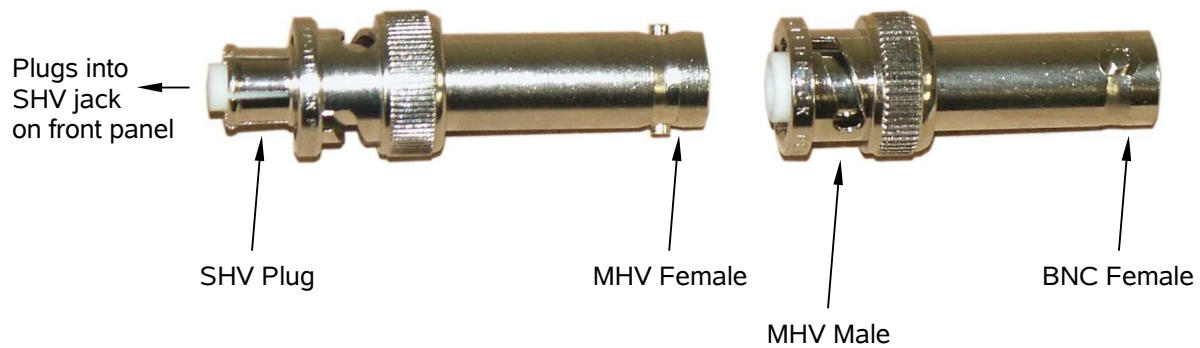
## OPTIONAL FEATURES

### RACK MOUNTING, "-R5" OPTION

A rack mounting kit is available. The "-R5" rack mount kit may be installed after first removing the one Phillips screw on the side panel adjacent to the front handle.

### ADPT1 ADAPTER KIT

The ADPT1 adapter kit provides an SHV PLUG to MHV FEMALE adapter and an MHV MALE to BNC FEMALE adapter, as shown below:



The two adapters may be used together to provide an SHV-to-BNC function for the Avtech AVR-8A and AVRH families of high-voltage pulse generators.

## PROTECTING YOUR INSTRUMENT

### TURN OFF INSTRUMENT WHEN NOT IN USE

The lifetime of the switching elements in the pulse generator module is proportional to the running time of the instrument. For this reason the prime power to the instrument should be turned off when the instrument is not in use. In the case of failure, the switching elements are easily replaced following the procedure described in a following section.

### DO NOT EXCEED 1 kHz

The output stage may be damaged if triggered by an external signal at a pulse repetition frequency greater than 1 kHz.

### REDUCE FREQUENCY AND PULSE WIDTH

In general, the lifetime of the output stage will be extended if the pulse repetition frequency and the pulse width are kept as low as possible.

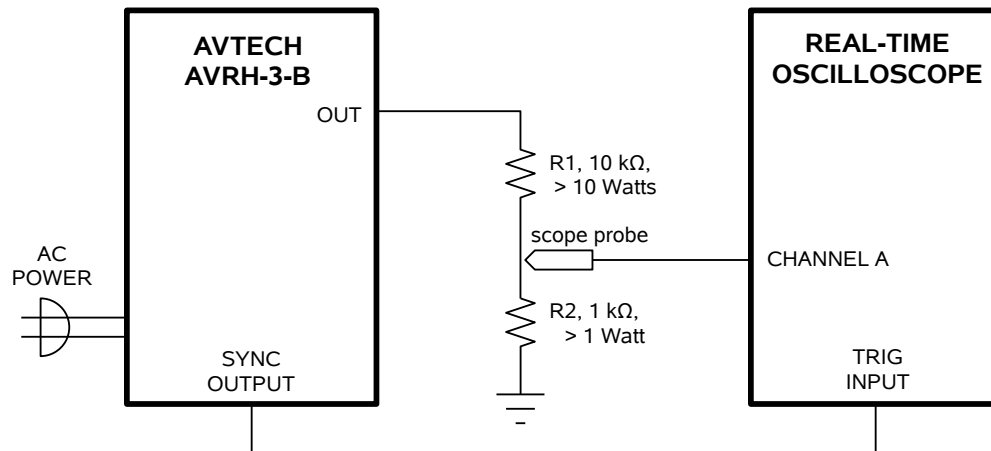
### USE A HIGH-IMPEDANCE LOAD

The load impedance must be 10 k $\Omega$  or higher. The output stage may be damaged if lower impedances are used.

## OPERATIONAL CHECK

This section describes a sequence to confirm the basic operation of the instrument. It should be performed after receiving the instrument. It is a useful learning exercise as well.

Before proceeding with this procedure, finish reading this instruction manual thoroughly. Then read the “Local Control” section of the “Programming Manual for -B Instruments” thoroughly. The “Local Control” section describes the front panel controls used in this operational check - in particular, the MOVE, CHANGE, and ADJUST controls.



*BASIC TEST ARRANGEMENT*

1. Connect the pulse generator to a sampling oscilloscope as shown above. Note that:
  - a) **EXTREME CAUTION SHOULD BE FOLLOWED WHEN USING THIS INSTRUMENT AS IT GENERATES OUTPUT PULSE AMPLITUDES AS HIGH AS 2 OR 3 KILOVOLTS.**
  - b) The TRIG output channel provides TTL level signals (approximately 0 and +3V). To avoid overdriving the TRIG input channel of some scopes, a 20 dB attenuator may be required at the input to the scope trigger channel.
  - c) The bandwidth capability of components and instruments used to display the pulse generator output signal (attenuators, cables, connectors, etc.) should exceed 50 MHz. Also, the coaxial cable between the SHV output connector and the load should not exceed about 0.5 meters (or the rise time will be degraded).
  - d) The load impedance should not be less than 10 kΩ as this will result in possible damage to the output stages. For test purposes, the test load should be greater than 10 kΩ. To protect the oscilloscope, two high-voltage resistors should be used to form a resistive-divider-type load. By using a 10 kΩ and a 1 kΩ resistor,

as shown above, the voltage measure by the oscilloscope will be reduced by a factor of 11, compared to the voltage at the output connector. The 10 k $\Omega$  resistance (R1) must have a voltage rating of at least 3000 Volts, and the 1 k $\Omega$  resistance (R2) must have a voltage rating of at least 300 Volts. (Multiple resistors may be used in series to achieve the required resistance with the required voltage rating.)

Factory tests are conducted using a single Ohmite 1 k $\Omega$ , 2 Watt ceramic composition resistor (part number OY102K) for R2. Ten of these resistors are connected in series to form R1. These resistors are available from Digi-Key (<http://www.digi-key.com>) and other distributors.

- e) Set the oscilloscope to trigger externally with the vertical setting at 50 V/div and the horizontal setting at 100 ns/div.
2. Turn on the AVRH-2-B / AVRH-3-B. The main menu will appear on the LCD.
  3. To set the AVRH-2-B / AVRH-3-B to trigger from the internal clock at a PRF of 100 Hz:
    - a) The arrow pointer should be pointing at the frequency menu item. If it is not, press the MOVE button until it is.
    - b) Press the CHANGE button. The frequency submenu will appear. Rotate the ADJUST knob until the frequency is set at 100 Hz.
    - c) The arrow pointer should be pointing at the "Internal" choice. If it is not, press MOVE until it is.
    - d) Press CHANGE to return to the main menu.
  4. To set the delay to 100 ns:
    - a) Press the MOVE button until the arrow pointer is pointing at the delay menu item.
    - b) Press the CHANGE button. The delay submenu will appear. Rotate the ADJUST knob until the delay is set at 100 ns.
    - c) The arrow pointer should be pointing at the "Normal" choice. If it is not, press MOVE until it is.
    - d) Press CHANGE to return to the main menu.
  5. To set the pulse width to 500 ns:

- a) Press the MOVE button until the arrow pointer is pointing at the pulse width menu item.
  - b) Press the CHANGE button. The pulse width submenu will appear. Rotate the ADJUST knob until the pulse width is set at 500 ns.
  - c) The arrow pointer should be pointing at the "Normal" choice. If it is not, press MOVE until it is.
  - d) Press CHANGE to return to the main menu.
6. At this point, nothing should appear on the oscilloscope.
7. To enable the output:
- a) Press the MOVE button until the arrow pointer is pointing at the output menu item.
  - b) Press the CHANGE button. The output submenu will appear.
  - c) Press MOVE until the arrow pointer is pointing at the "ON" choice.
  - d) Press CHANGE to return to the main menu.
8. To change the output amplitude:
- a) Press the MOVE button until the arrow pointer is pointing at the amplitude menu item.
  - b) Press the CHANGE button. The amplitude submenu will appear. Rotate the ADJUST knob until the amplitude is set at +1000V (or -1000V for "-N" models).
  - c) Observe the oscilloscope. You should see 500 ns wide, 1000V pulses. (Note that the resistor-divider load reduces the oscilloscope voltage by a factor of 11.) If you do not, you may need to adjust the delay setting to a value more compatible with your sampling oscilloscope. Repeat step 4 if required. You may also need to adjust the sampling scope controls.
  - d) Rotate the ADJUST knob. The amplitude as seen on the oscilloscope should vary. Return it to 1000V.
  - e) ("-PN" units only) Press the +/- button on the front panel. The amplitude as seen on the oscilloscope should flip polarity, to -1000V.
  - f) Press CHANGE to return to the main menu.
9. Try varying the pulse width, by repeating step (5). As you rotate the ADJUST knob, the pulse width on the oscilloscope will change. It should agree with the displayed

value.

This completes the operational check.

## PROGRAMMING YOUR PULSE GENERATOR

### KEY PROGRAMMING COMMANDS

The “Programming Manual for -B Instruments” describes in detail how to connect the pulse generator to your computer, and the programming commands themselves. A large number of commands are available; however, normally you will only need a few of these. Here is a basic sample sequence of commands that might be sent to the instrument after power-up:

|                         |   |
|-------------------------|---|
| *rst                    | (resets the instrument)                   |
| trigger:source internal | (selects internal triggering)             |
| frequency 1000 Hz       | (sets the frequency to 1000 Hz)           |
| pulse:width 500 ns      | (sets the pulse width to 500 ns)          |
| pulse:delay 20 ns       | (sets the delay to 20 ns)                 |
| volt:ampl 1500          | (sets the amplitude to +1500 V)           |
|                         | ("-N" units should use "volt:ampl -1500") |
| output on               | (turns on the output)                     |

For triggering a single event, this sequence would be more appropriate:

|                          |   |
|--------------------------|---|
| *rst                     | (resets the instrument)                           |
| trigger:source hold      | (turns off all triggering)                        |
| pulse:width 500 ns       | (sets the pulse width to 500 ns)                  |
| output on                | (turns on the output)                             |
| volt:ampl 1500           | (sets the amplitude to +1500 V)                   |
|                          | ("-N" units should use "volt:ampl -1500")         |
| trigger:source immediate | (generates a single non-repetitive trigger event) |
| trigger:source hold      | (turns off all triggering)                        |
| output off               | (turns off the output)                            |

To set the instrument to trigger from an external TTL signal applied to the rear-panel TRIG connector, use:

|                         |   |
|-------------------------|---|
| *rst                    | (resets the instrument)                   |
| trigger:source external | (selects external triggering)             |
| pulse:width 500 ns      | (sets the pulse width to 500 ns)          |
| pulse:delay 1 us        | (sets the delay to 1 us)                  |
| volt:ampl 1500          | (sets the amplitude to +1500 V)           |
|                         | ("-N" units should use "volt:ampl -1500") |
| output on               | (turns on the output)                     |

To set the output pulse width to track the trigger pulse width in external mode, use:

|                         |   |
|-------------------------|---|
| *rst                    | (resets the instrument)                   |
| trigger:source external | (selects external triggering)             |
| pulse:width in          | ( $PW_{OUT} = PW_{IN}$ )                  |
| output on               | (turns on the output)                     |
| volt:ampl 1500          | (sets the amplitude to +1500 V)           |
|                         | ("-N" units should use "volt:ampl -1500") |

These commands will satisfy 90% of your programming needs.

## ALL PROGRAMMING COMMANDS

For more advanced programmers, a complete list of the available commands is given below. These commands are described in detail in the "Programming Manual for -B Instruments". (Note: this manual also includes some commands that are not implemented in this instrument. They can be ignored.)

| <u>Keyword</u> | <u>Parameter</u>           | <u>Notes</u>                     |
|----------------|----------------------------|----------------------------------|
| OUTPut:        |                            |                                  |
| :[STATe]       | <boolean value>            |                                  |
| :PROTection    |                            |                                  |
| :TRIPped?      |                            | [query only]                     |
| [SOURce]:      |                            |                                  |
| :FREQuency     |                            |                                  |
| [:CW   FIXed]  | <numeric value>            |                                  |
| [SOURce]:      |                            |                                  |
| :PULSe         |                            |                                  |
| :PERiod        | <numeric value>            |                                  |
| :WIDTh         | <numeric value>   IN       |                                  |
| :DCYClE        | <numeric value>            |                                  |
| :HOLD          | WIDTh   DCYClE             |                                  |
| :DELay         | <numeric value>            |                                  |
| :GATE          |                            |                                  |
| :TYPE          | ASync   SyNC               |                                  |
| :LEVel         | HIgh   LOw                 |                                  |
| [SOURce]:      |                            |                                  |
| :VOLTage       |                            |                                  |
| [:LEVel]       |                            |                                  |
| [:IMMediate]   |                            |                                  |
| [:AMPLitude]   | <numeric value>   EXternal |                                  |
| :PROTection    |                            |                                  |
| :TRIPped?      |                            | [query only]                     |
| STATUS:        |                            |                                  |
| :OPERation     |                            |                                  |
| :[EVENT]?      |                            | [query only, always returns "0"] |
| :CONDition?    |                            | [query only, always returns "0"] |
| :ENABle        | <numeric value>            | [implemented but not useful]     |
| :QUEStionable  |                            |                                  |
| :[EVENT]?      |                            | [query only, always returns "0"] |
| :CONDition?    |                            | [query only, always returns "0"] |
| :ENABle        | <numeric value>            | [implemented but not useful]     |
| SYSTEM:        |                            |                                  |




|              |  |                 |
|--------------|--|-----------------|
| :COMMunicate |  |                 |
| :GPIB        |  |                 |
| :ADDRess     | <numeric value>  |                 |
| :SERial      |  |                 |
| :CONTRol     |  |                 |
| :RTS         | ON   IBFull   RFR  |                 |
| :[RECeive]   |  |                 |
| :BAUD        | 1200   2400   4800   9600   19200   38400   57600   115200 |                 |
| :ERRor       |  |                 |
| :[NEXT]?     |  | [query only]    |
| :COUNT?      |  | [query only]    |
| :VERSion?    |  | [query only]    |
| TRIGger:     |  |                 |
| :SOURce      | INTernal   EXTernal   MANual   HOLD   IMMEDIATE            |                 |
| *CLS         |  | [no query form] |
| *ESE         | <numeric value>  |                 |
| *ESR?        |  | [query only]    |
| *IDN?        |  | [query only]    |
| *OPC         |  |                 |
| *SAV         | 0   1   2   3  | [no query form] |
| *RCL         | 0   1   2   3  | [no query form] |
| *RST         |  | [no query form] |
| *SRE         | <numeric value>  |                 |
| *STB?        |  | [query only]    |
| *TST?        |  | [query only]    |
| *WAI         |  | [no query form] |


## MECHANICAL INFORMATION

### TOP COVER REMOVAL

If necessary, the interior of the instrument may be accessed by removing the four Phillips screws on the top panel. With the four screws removed, the top cover may be slid back (and off).

 Always disconnect the power cord and allow the instrument to sit unpowered for 10 minutes before opening the instrument. This will allow any internal stored charge to discharge.

There are no user-adjustable internal circuits. For repairs other than fuse replacement, please contact Avtech (info@avtechpulse.com) to arrange for the instrument to be returned to the factory for repair. Service is to be performed solely by qualified service personnel.

 Caution: High voltages are present inside the instrument during normal operation. Do not operate the instrument with the cover removed.

### RACK MOUNTING

A rack mounting kit is available. The -R5 rack mount kit may be installed after first removing the one Phillips screw on the side panel adjacent to the front handle.

### ELECTROMAGNETIC INTERFERENCE

To prevent electromagnetic interference with other equipment, all used outputs should be connected to shielded loads using shielded coaxial cables. Unused outputs should be terminated with shielded coaxial terminators or with shielded coaxial dust caps, to prevent unintentional electromagnetic radiation. All cords and cables should be less than 3m in length.

## MAINTENANCE

### REGULAR MAINTENANCE

This instrument does not require any regular maintenance.

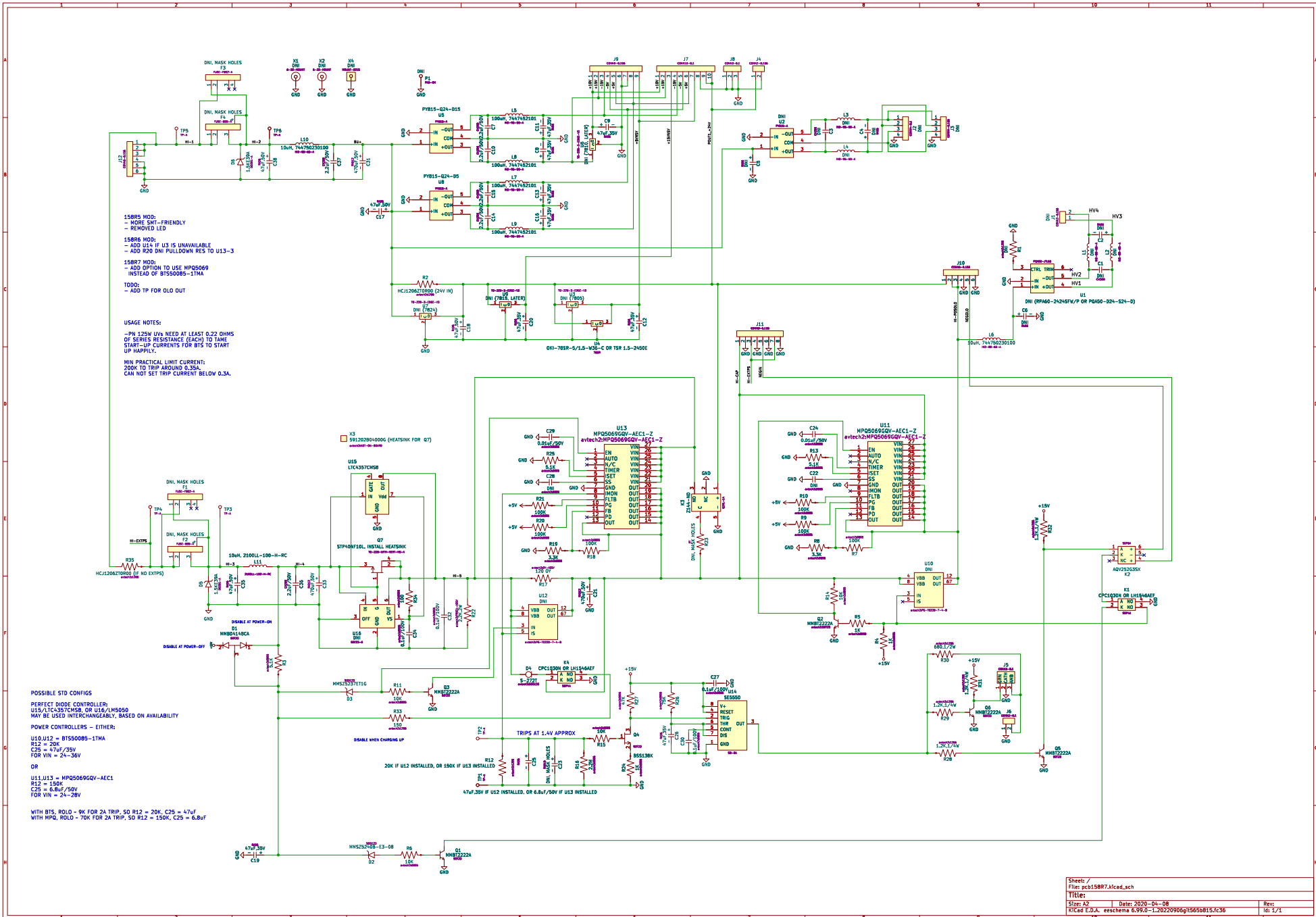
On occasion, one or more of the four rear-panel fuses may require replacement. All fuses can be accessed from the rear panel. See the “FUSES” section for details.

### CLEANING

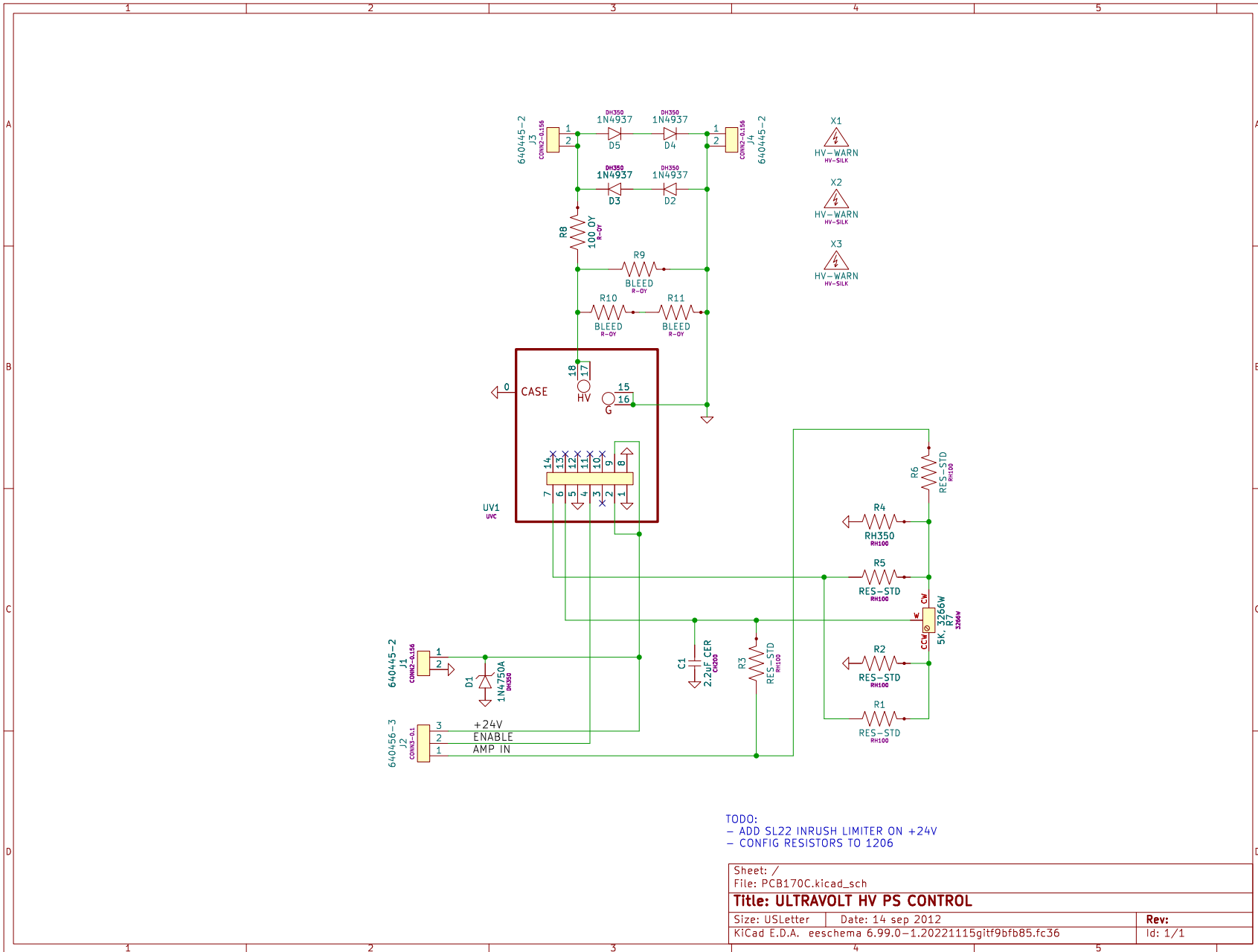
If desired, the interior of the instrument may be cleaned using compressed air to dislodge any accumulated dust. (See the “TOP COVER REMOVAL” section for instructions on accessing the interior.) No other cleaning is recommended.



# PCB 158R7 - LOW VOLTAGE POWER SUPPLY



# PCB 170C - HIGH-VOLTAGE POWER SUPPLY

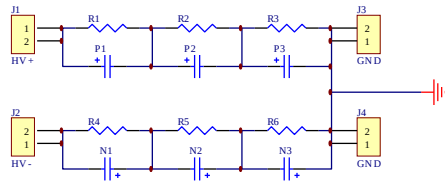


TODO:  
 - ADD SL22 INRUSH LIMITER ON +24V  
 - CONFIG RESISTORS TO 1206

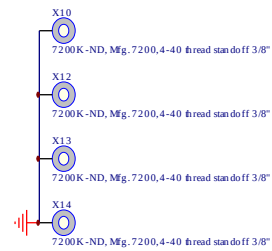
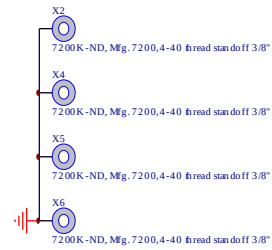
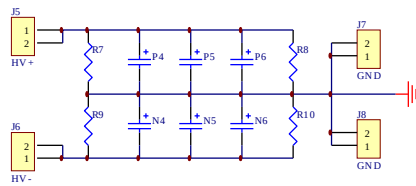
|  |                   |         |
|--|-------------------|---------|
| Sheet: /   |                   |         |
| File: PCB170C.kicad_sch                                |                   |         |
| <b>Title: ULTRAVOLT HV PS CONTROL</b>                  |                   |         |
| Size: USLetter   | Date: 14 sep 2012 | Rev:    |
| KiCad E.D.A. eeschema 6.99.0-1.20221115gitf9bfb85.fc36 |                   | Id: 1/1 |

# PCB 183A-S AND 183A-P CAPACITOR BANKS

## 183A-S (SERIES CAPACITOR BANK)



## 183A-P (PARALLEL CAPACITOR BANK)



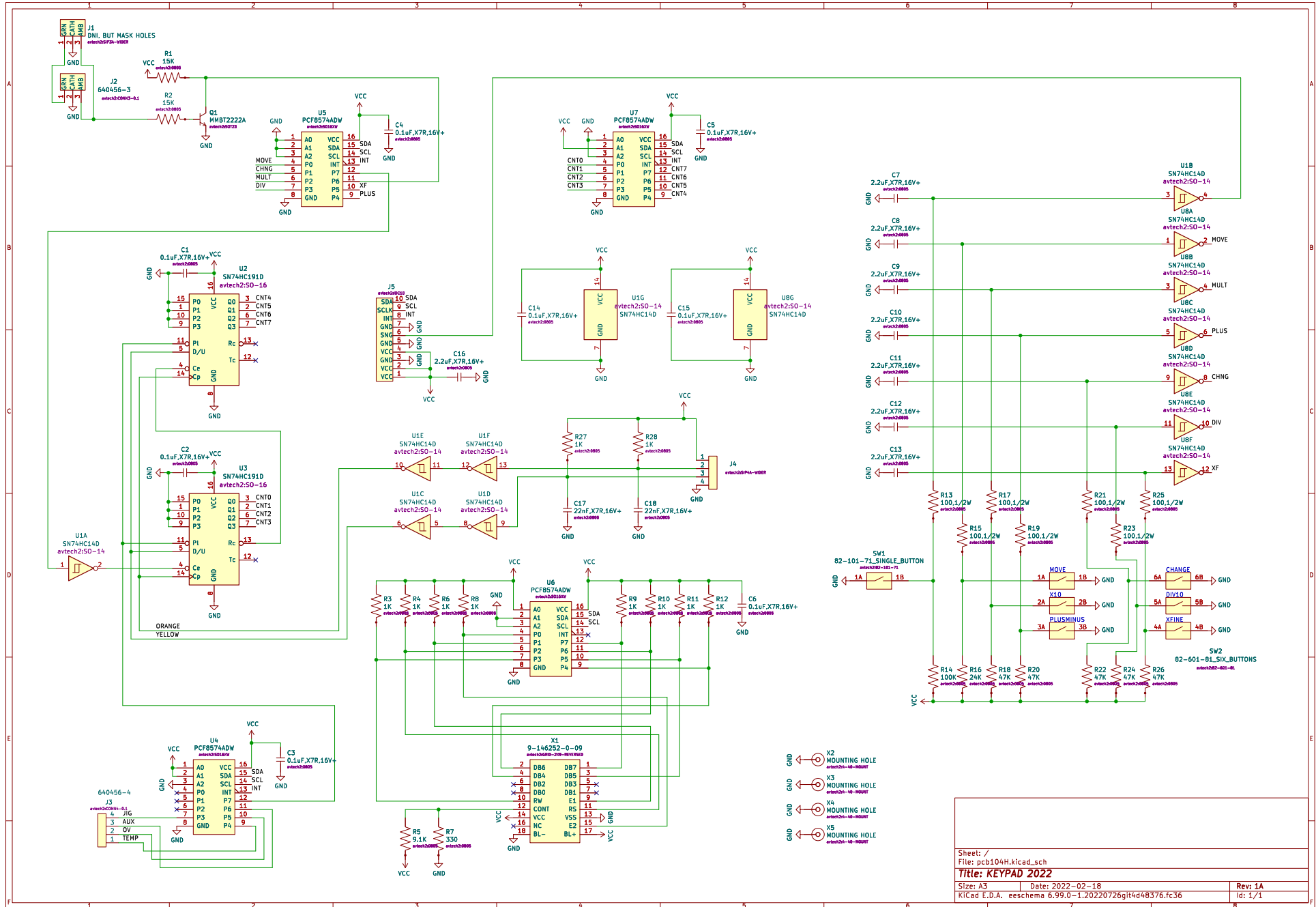
### PCB183 CAP BANKS

Printed 19-Aug-2005

Revision 1C

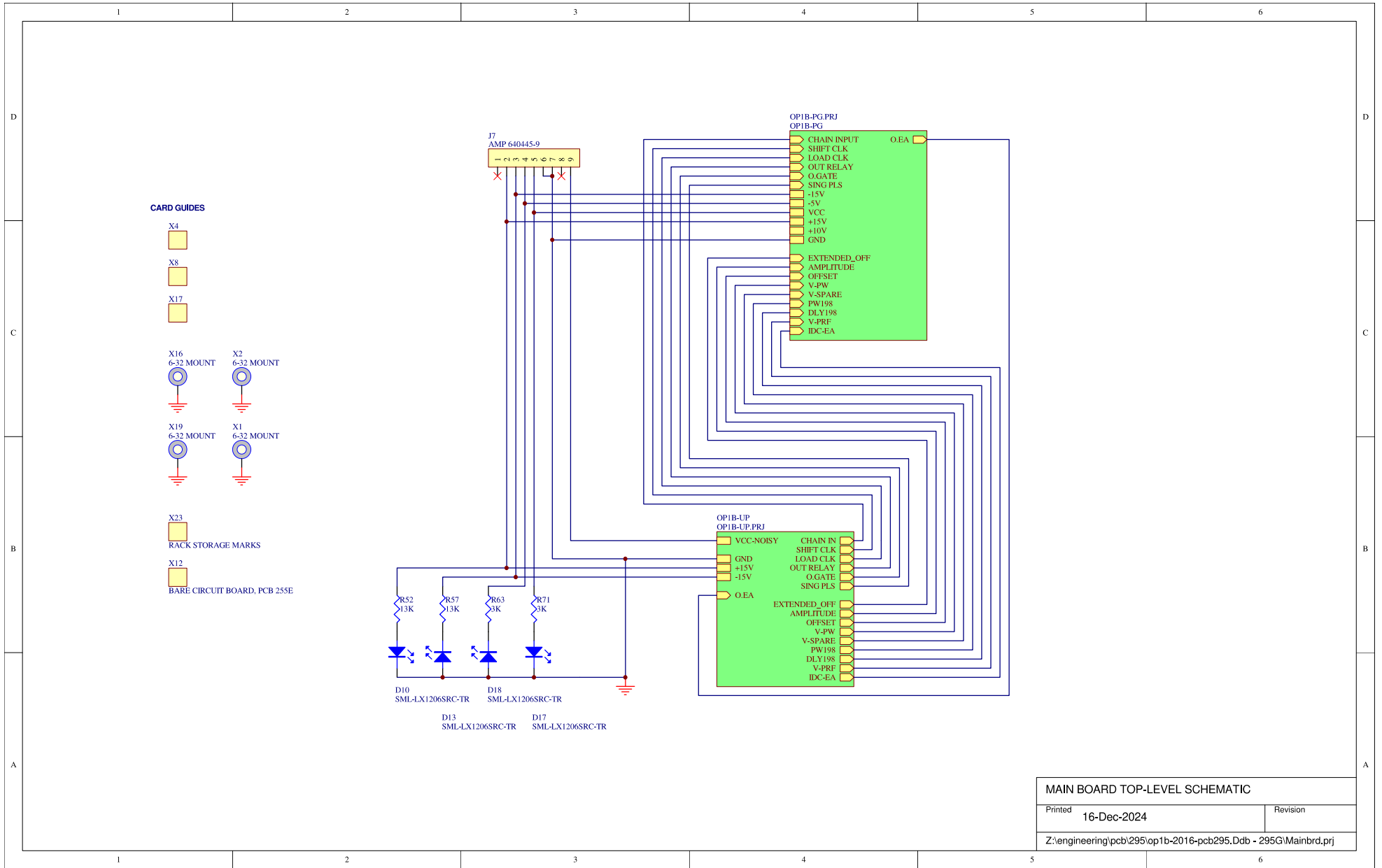
Z:\mjrfiles\pcb183\hv-cap-bank.Ddb - pcb183a.sch

# PCB 104H - KEYPAD / DISPLAY BOARD



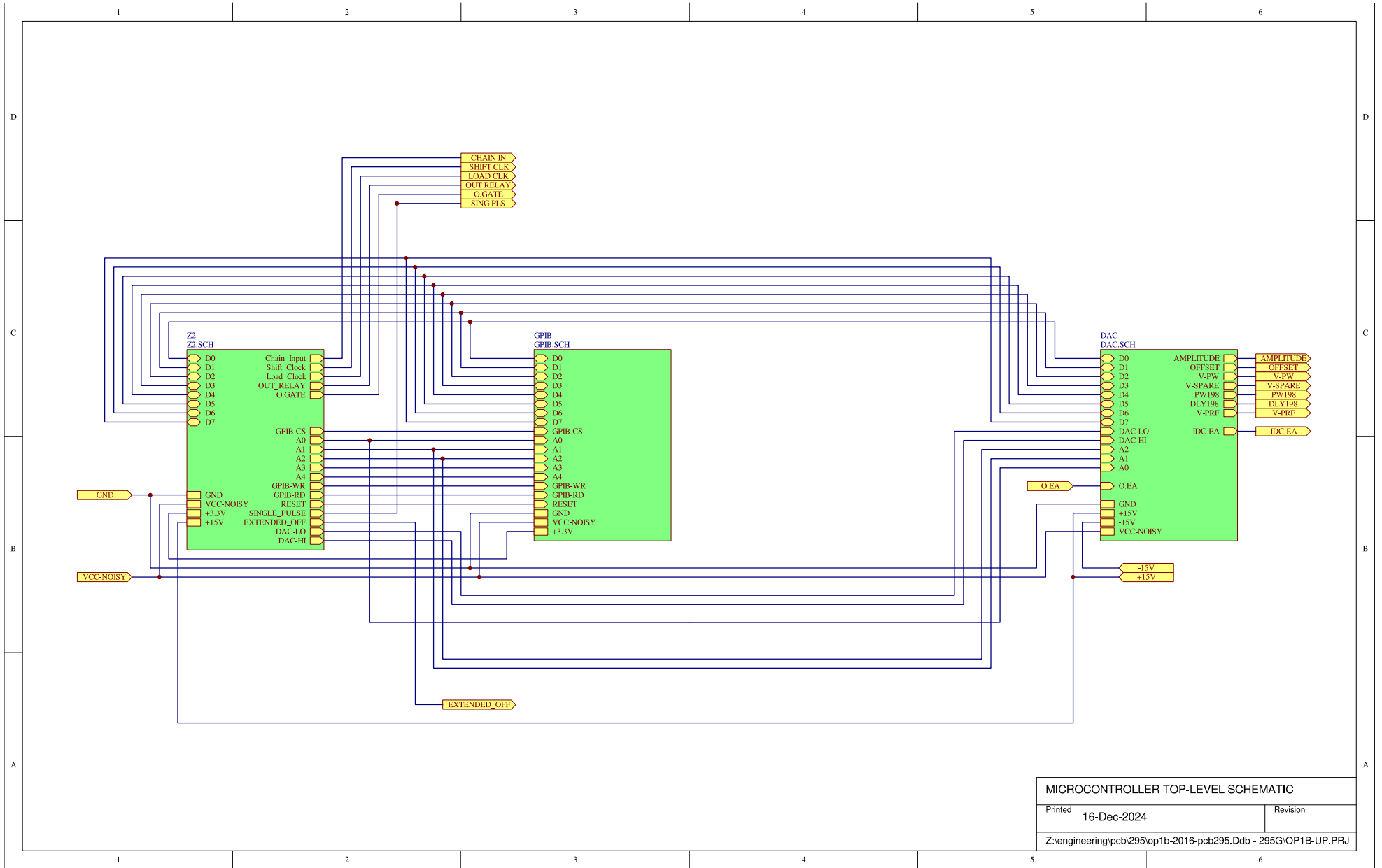


# PCB 295G - MAIN CONTROL BOARD, 1 OF 13, TOP-LEVEL



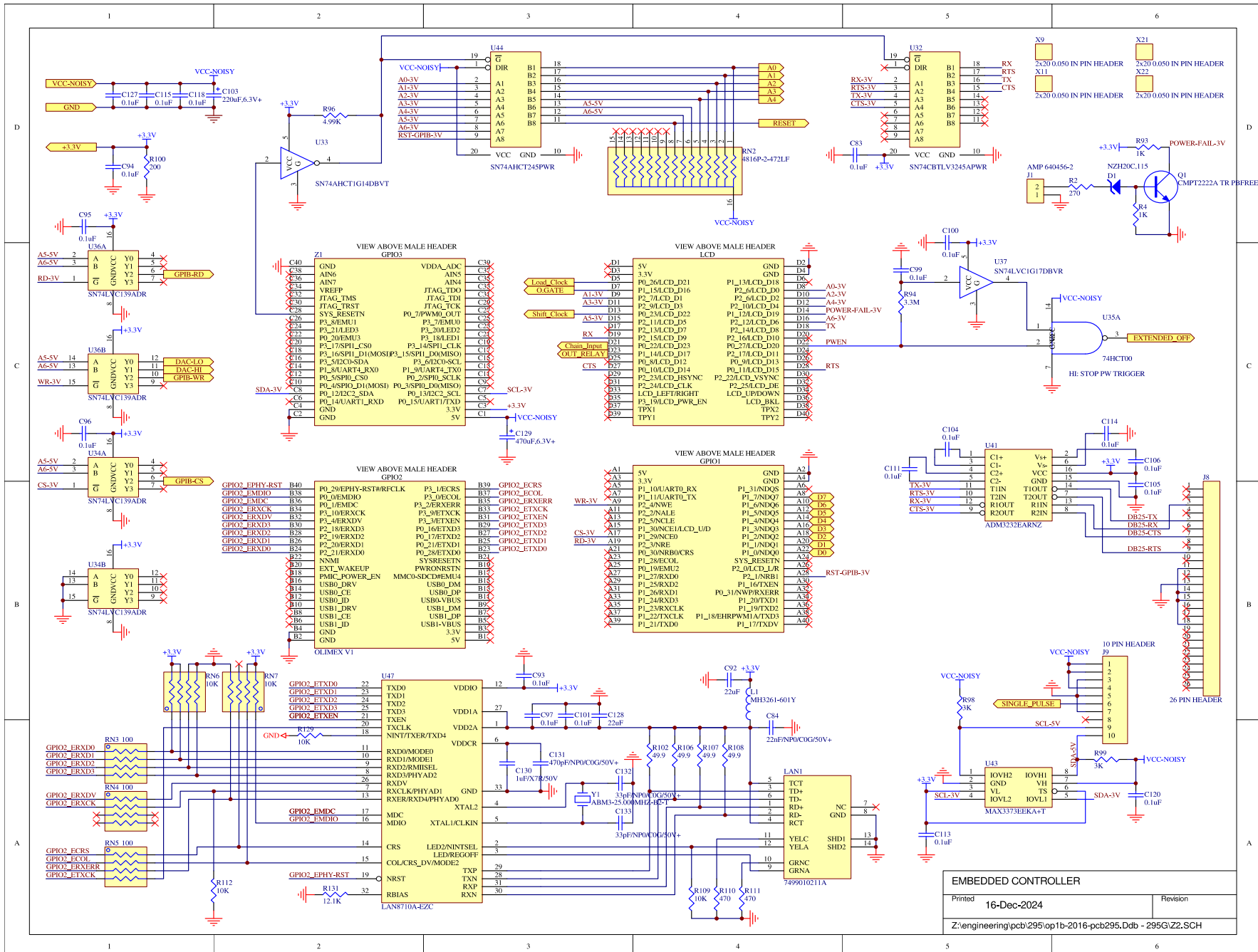
| MAIN BOARD TOP-LEVEL SCHEMATIC                                 |          |
|--|----------|
| Printed 16-Dec-2024  | Revision |
| Z:\engineering\pcb\295\op1b-2016-pcb295.Ddb - 295G>Mainbrd.prj |          |

# PCB 295G - MAIN CONTROL BOARD, 2 OF 13, MICROCONTROLLER TOP-LEVEL

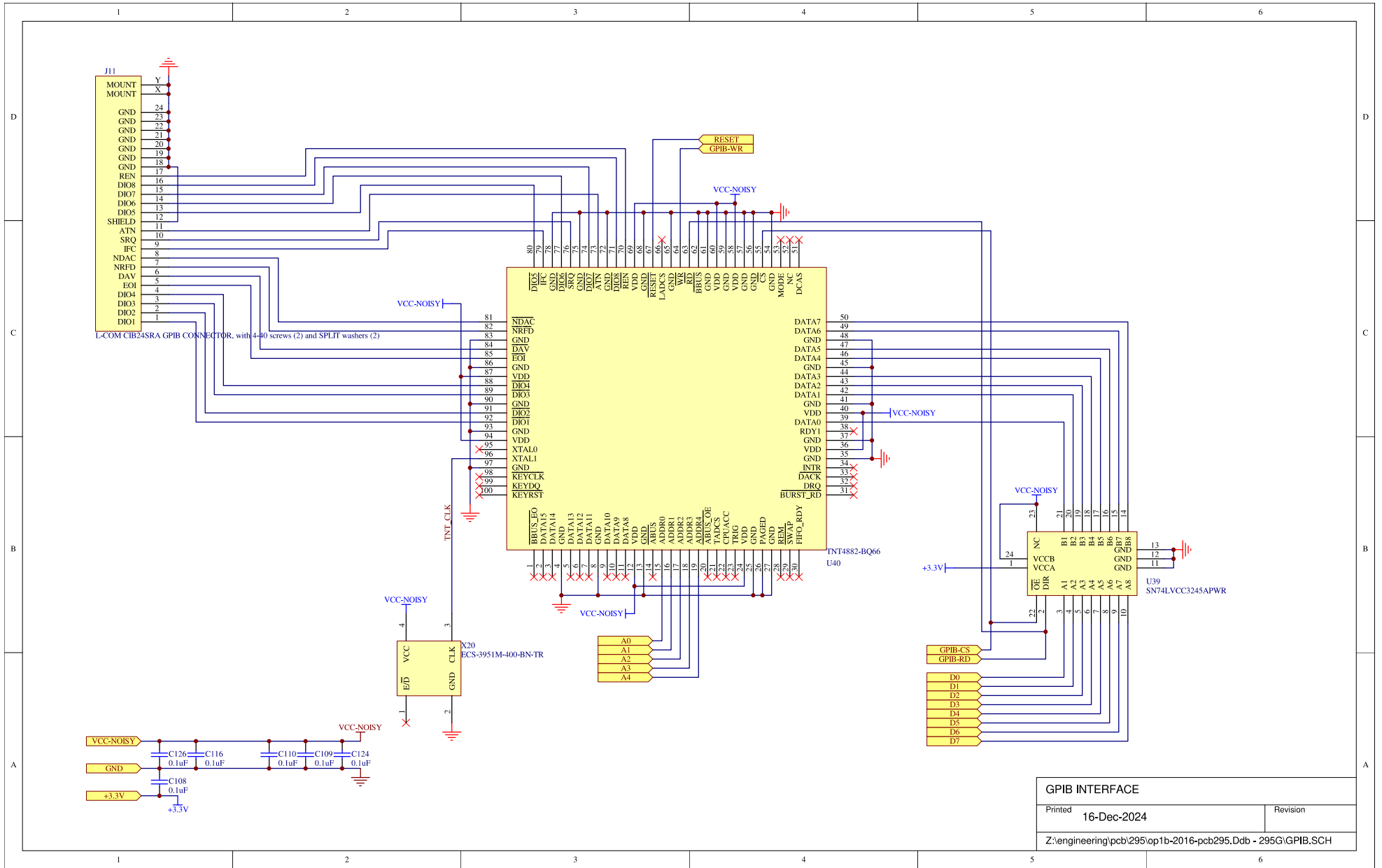


| MICROCONTROLLER TOP-LEVEL SCHEMATIC                            |             |
|--|-------------|
| Printed  | 16-Dec-2024 |
| Revision   |             |
| Z:\engineering\pcb\295\op1b-2016-pcb295.Ddb - 295G\OP1B-UP.PRJ |             |

# PCB 295G - MAIN CONTROL BOARD, 3 OF 13, EMBEDDED CONTROLLER

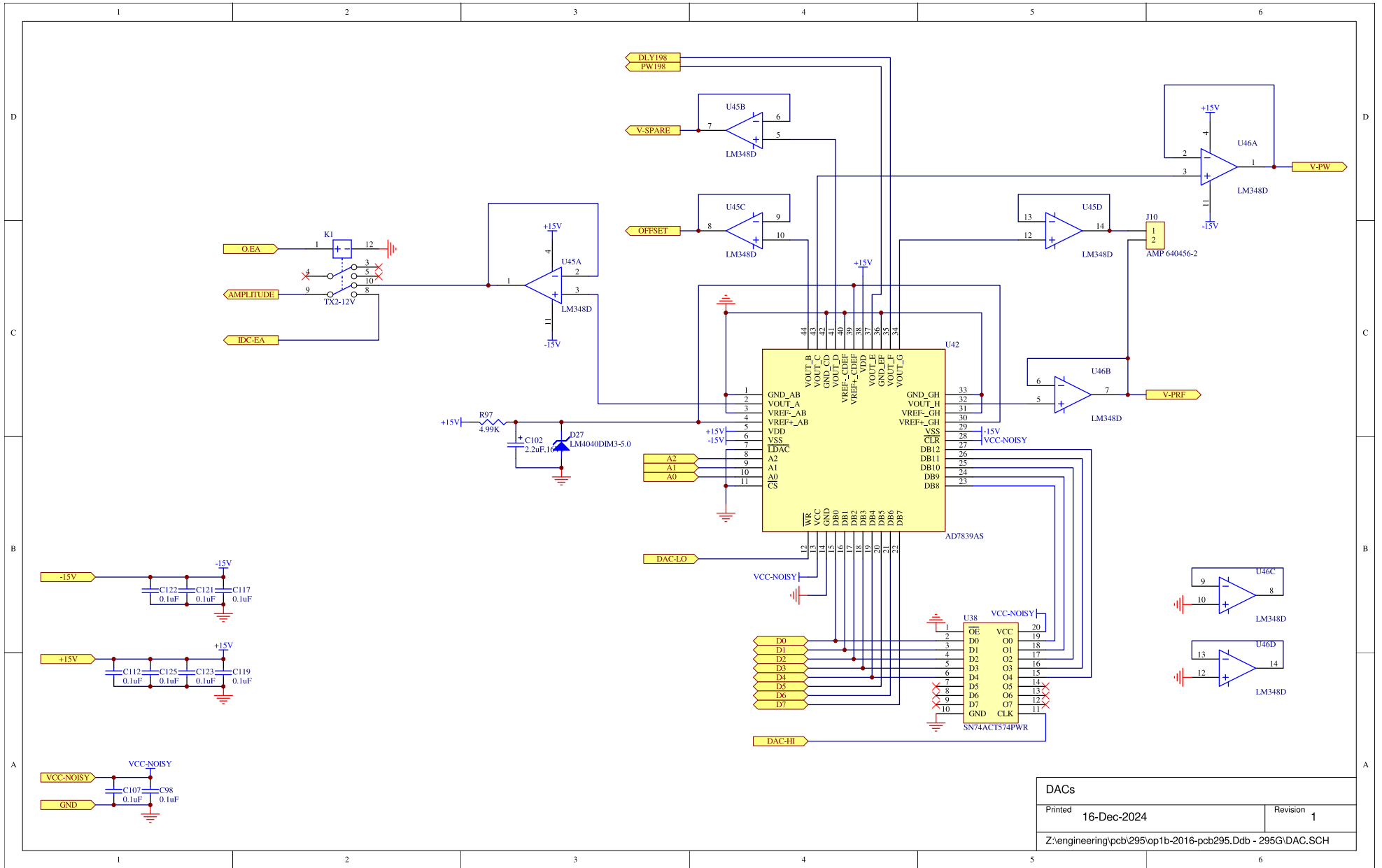


# PCB 295G - MAIN CONTROL BOARD, 4 OF 13, GPIB INTERFACE

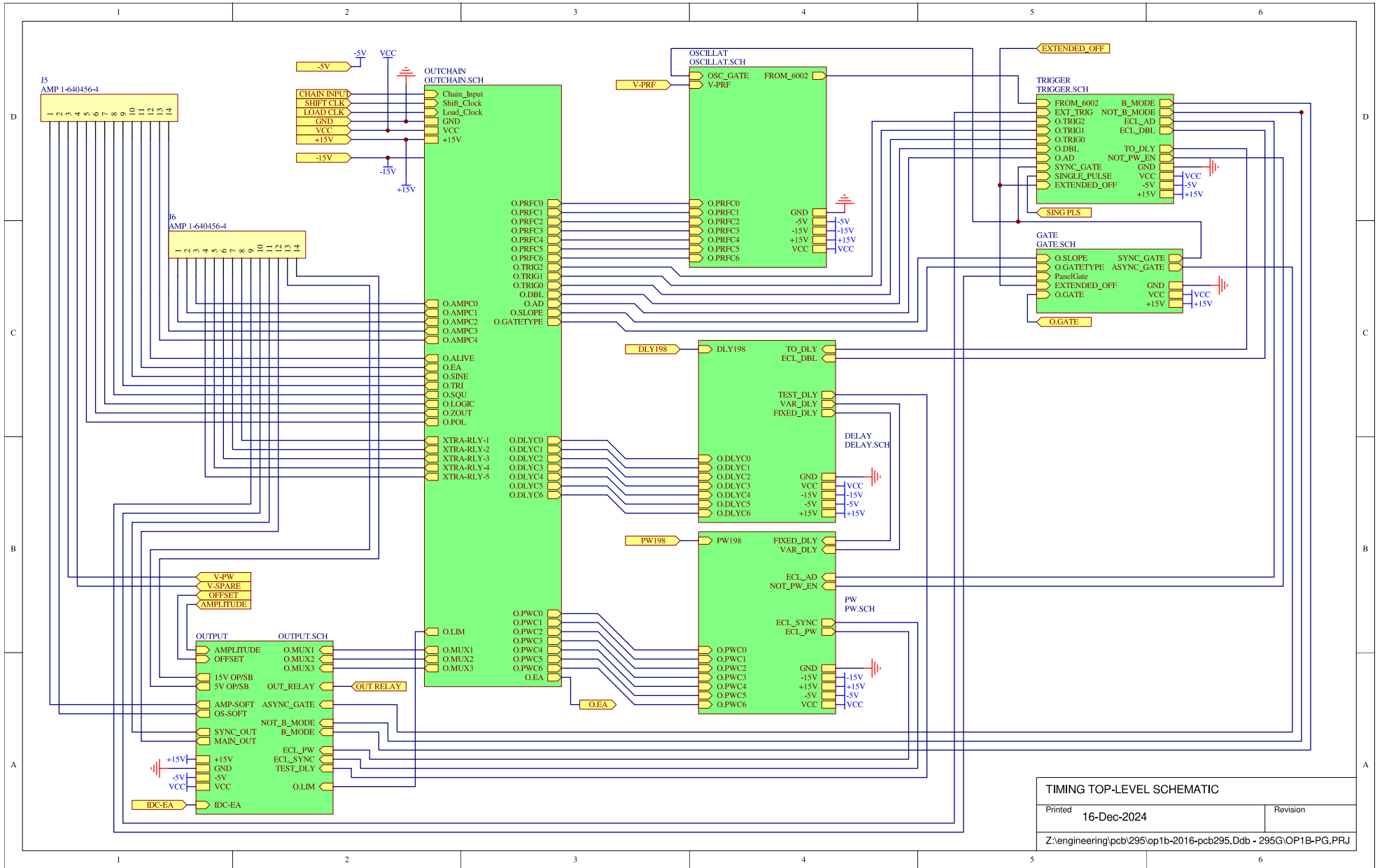


| GPIB INTERFACE  |          |
|---|----------|
| Printed   | Revision |
| 16-Dec-2024   |          |
| Z:\engineering\pcb\295\op1b-2016-pcb295.Ddb - 295G\GPIB.SCH |          |

# PCB 295G - MAIN CONTROL BOARD, 5 OF 13, DACs

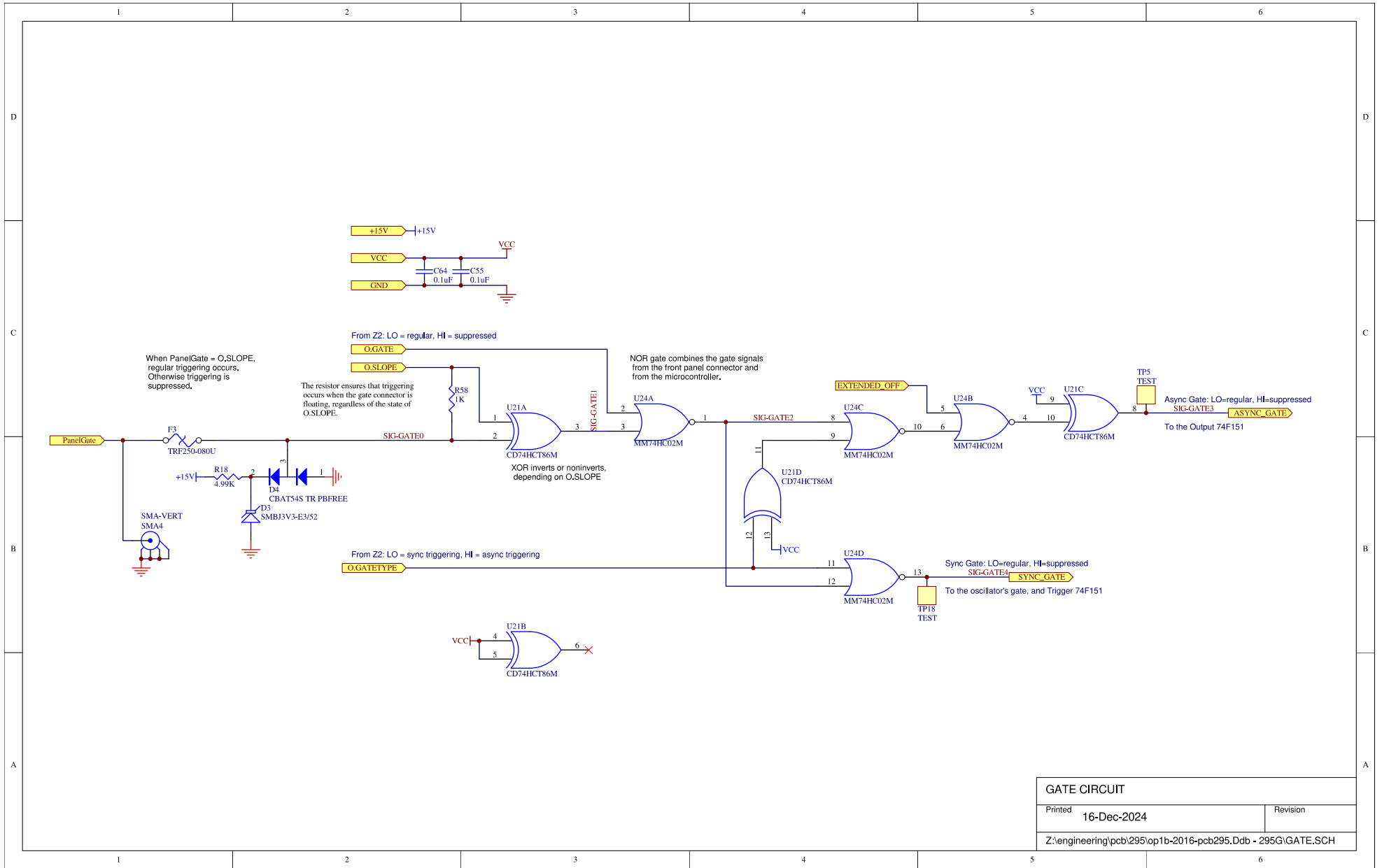


# PCB 295G - MAIN CONTROL BOARD, 6 OF 13, TIMING TOP-LEVEL



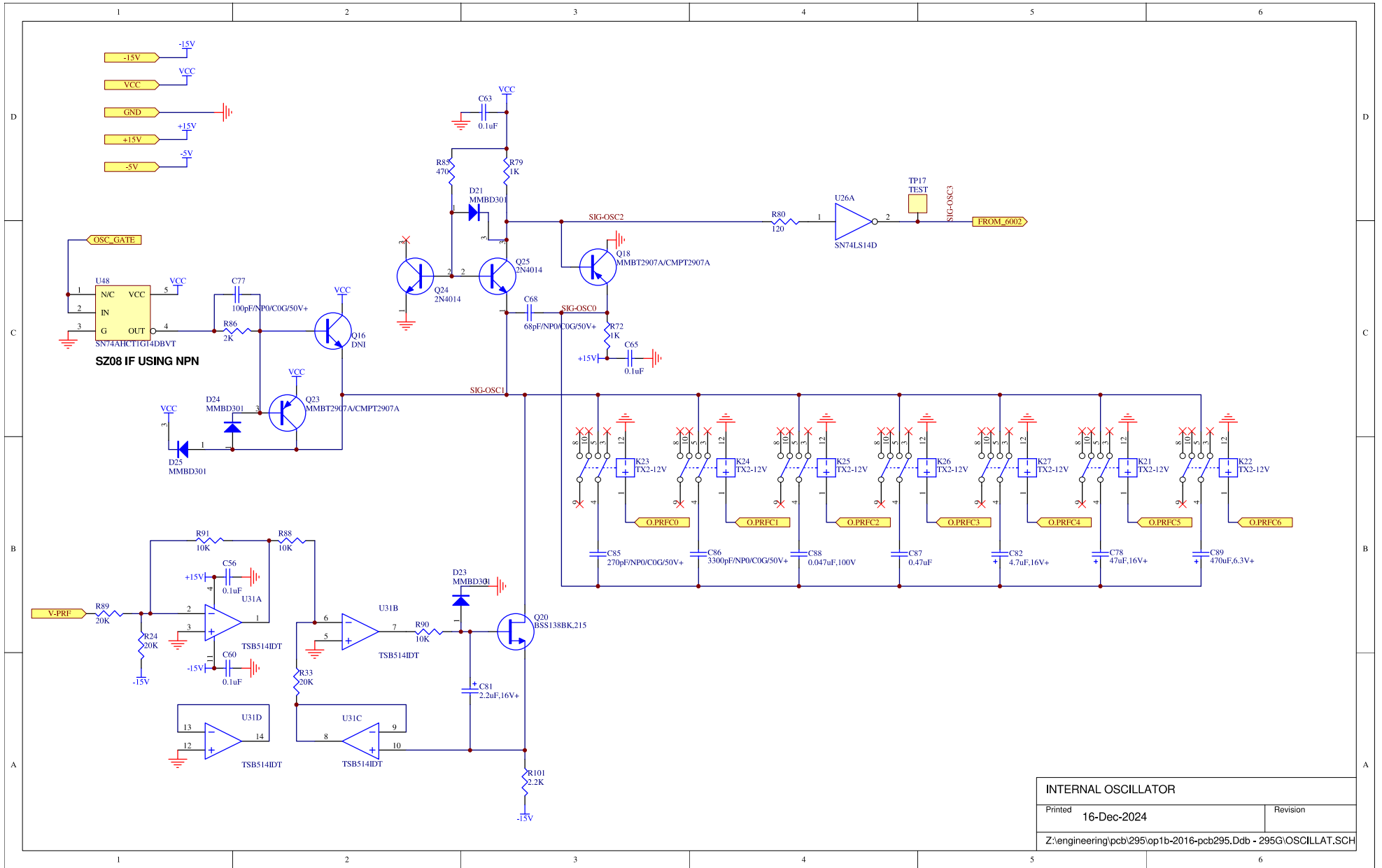
| TIMING TOP-LEVEL SCHEMATIC                                      |          |
|---|----------|
| Printed   | Revision |
| 16-Dec-2024   |          |
| Z:\engineering\pcb\295\op1b-2016-pcb295.Ddb - 295G\OP1B-PG_P RJ |          |

# PCB 295G - MAIN CONTROL BOARD, 7 OF 13, GATE CIRCUIT



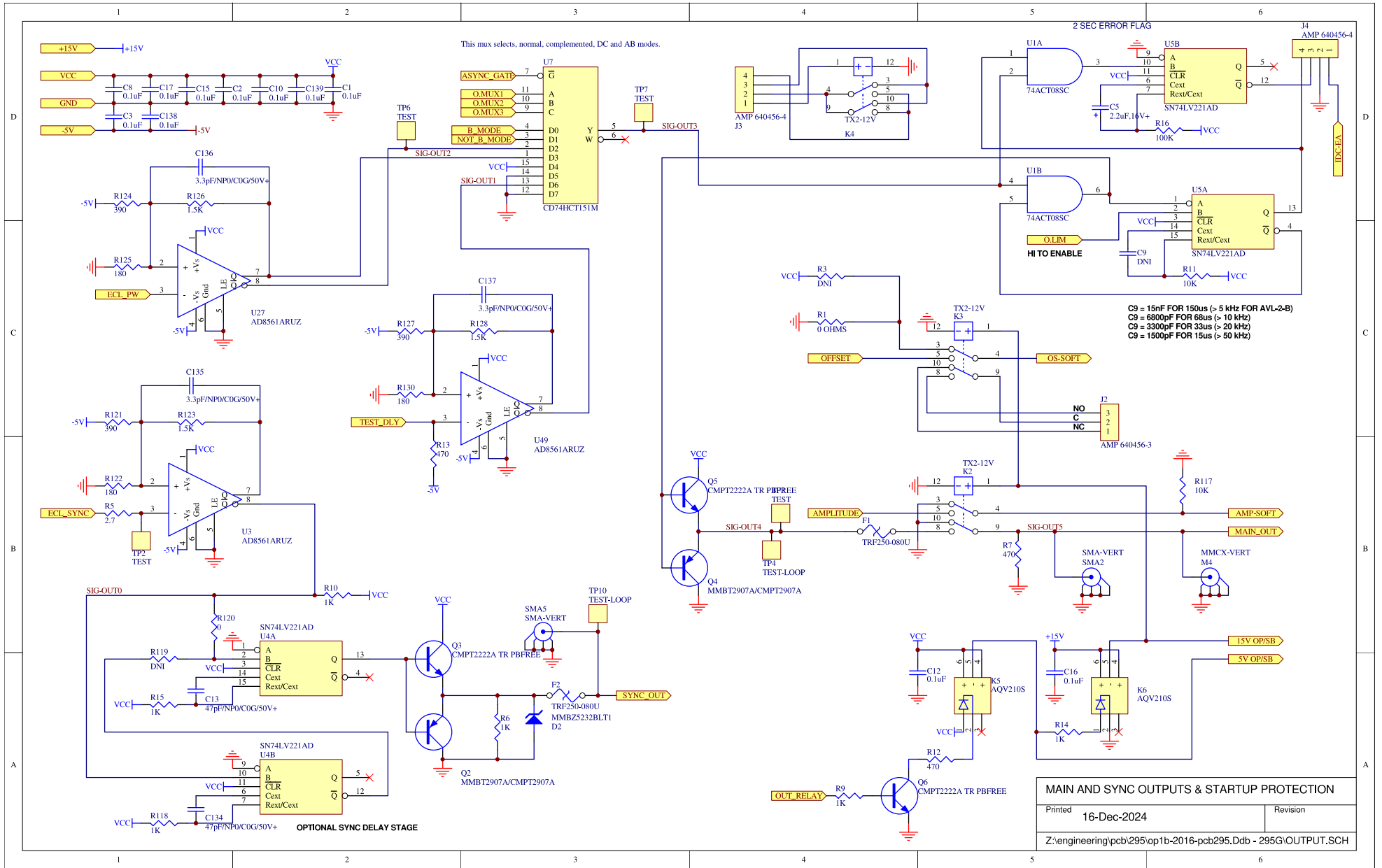
| GATE CIRCUIT  |          |
|---|----------|
| Printed 16-Dec-2024   | Revision |
| Z:\engineering\pcb\295\op1b-2016-pcb295.Ddb - 295G\GATE.SCH |          |

# PCB 295G - MAIN CONTROL BOARD, 8 OF 13, OSCILLATOR

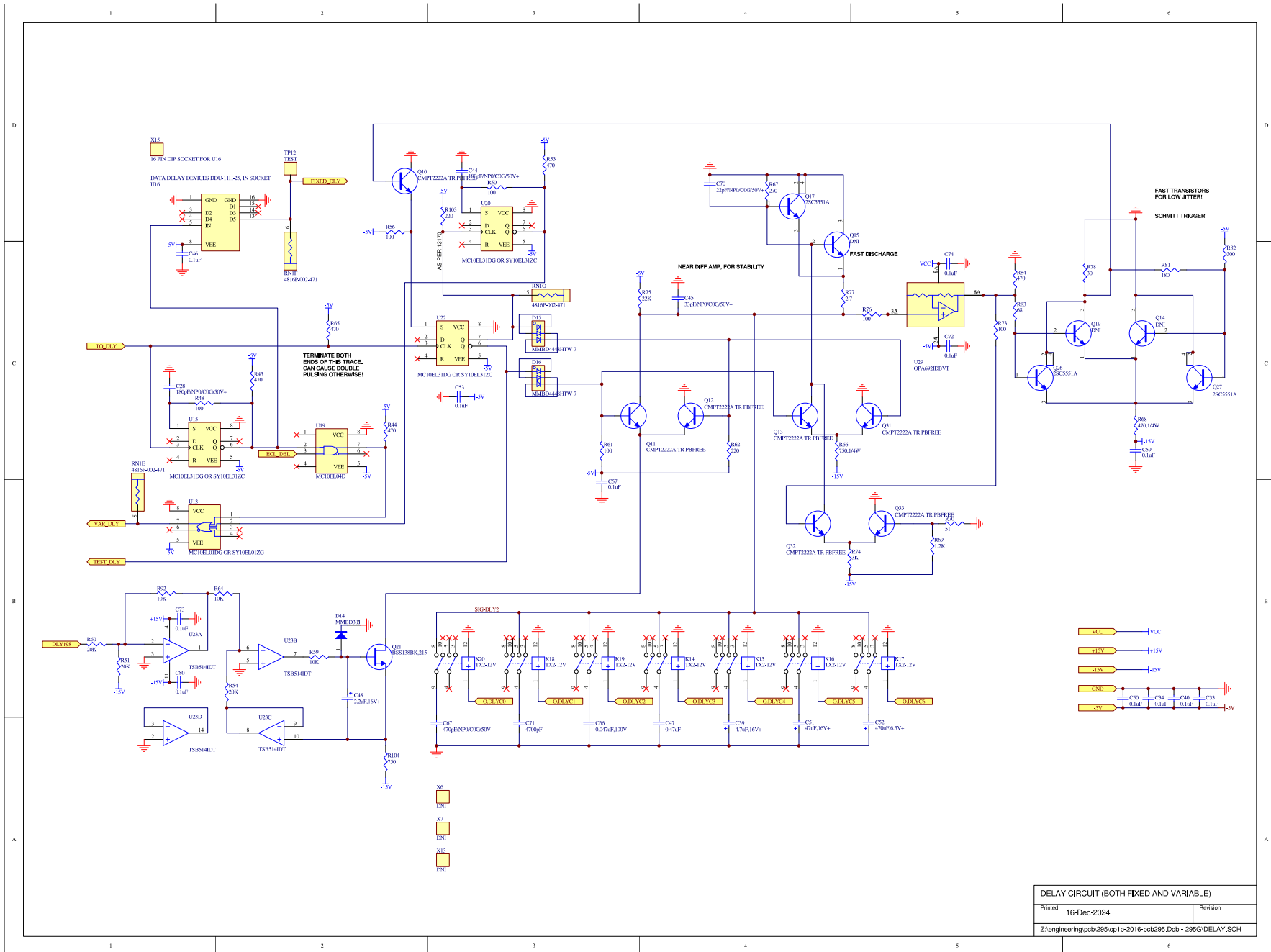




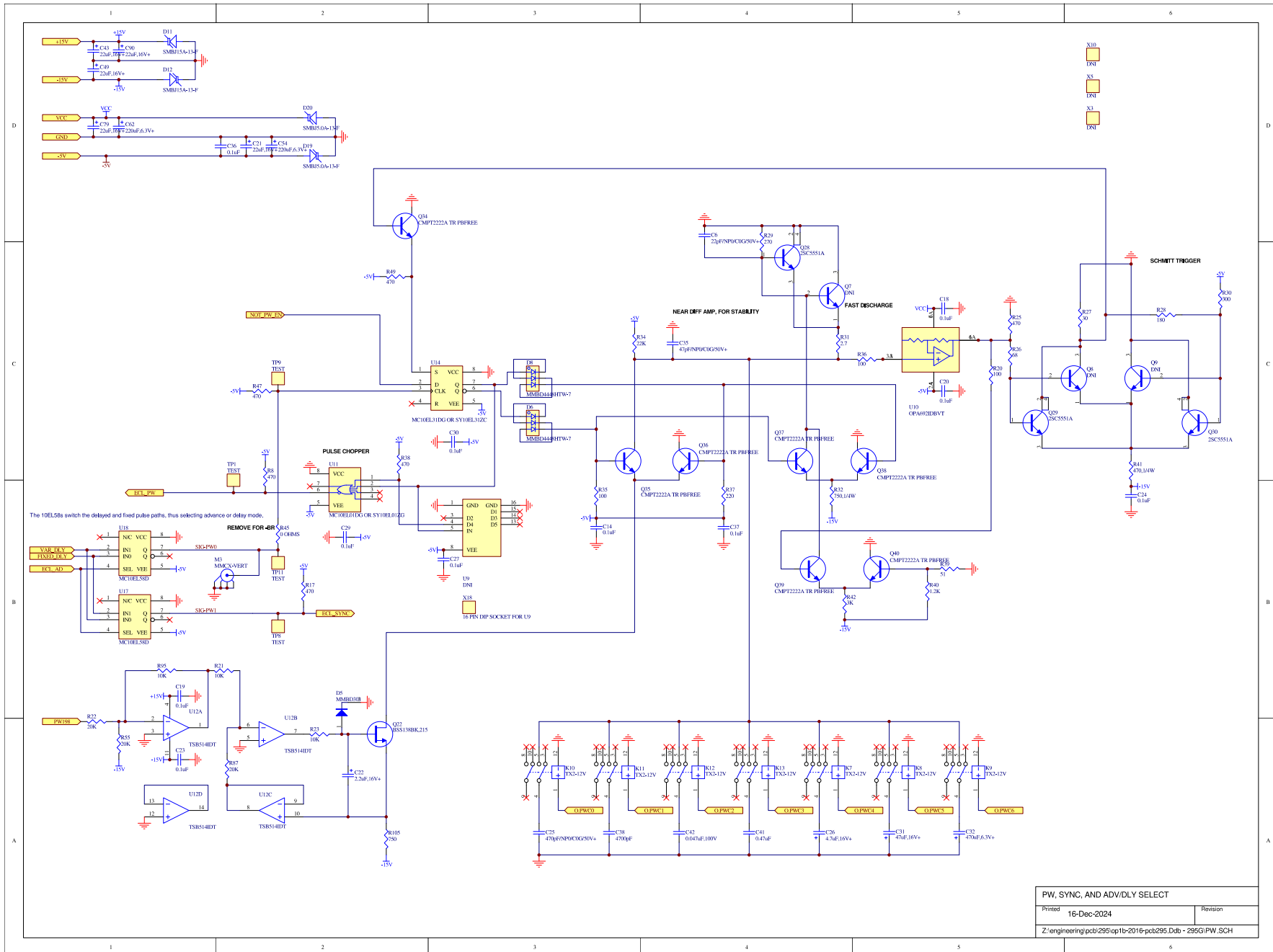
# PCB 295G - MAIN CONTROL BOARD, 9 OF 13, TTL OUTPUTS



# PCB 295G - MAIN CONTROL BOARD, 10 OF 13, DELAY CIRCUITS

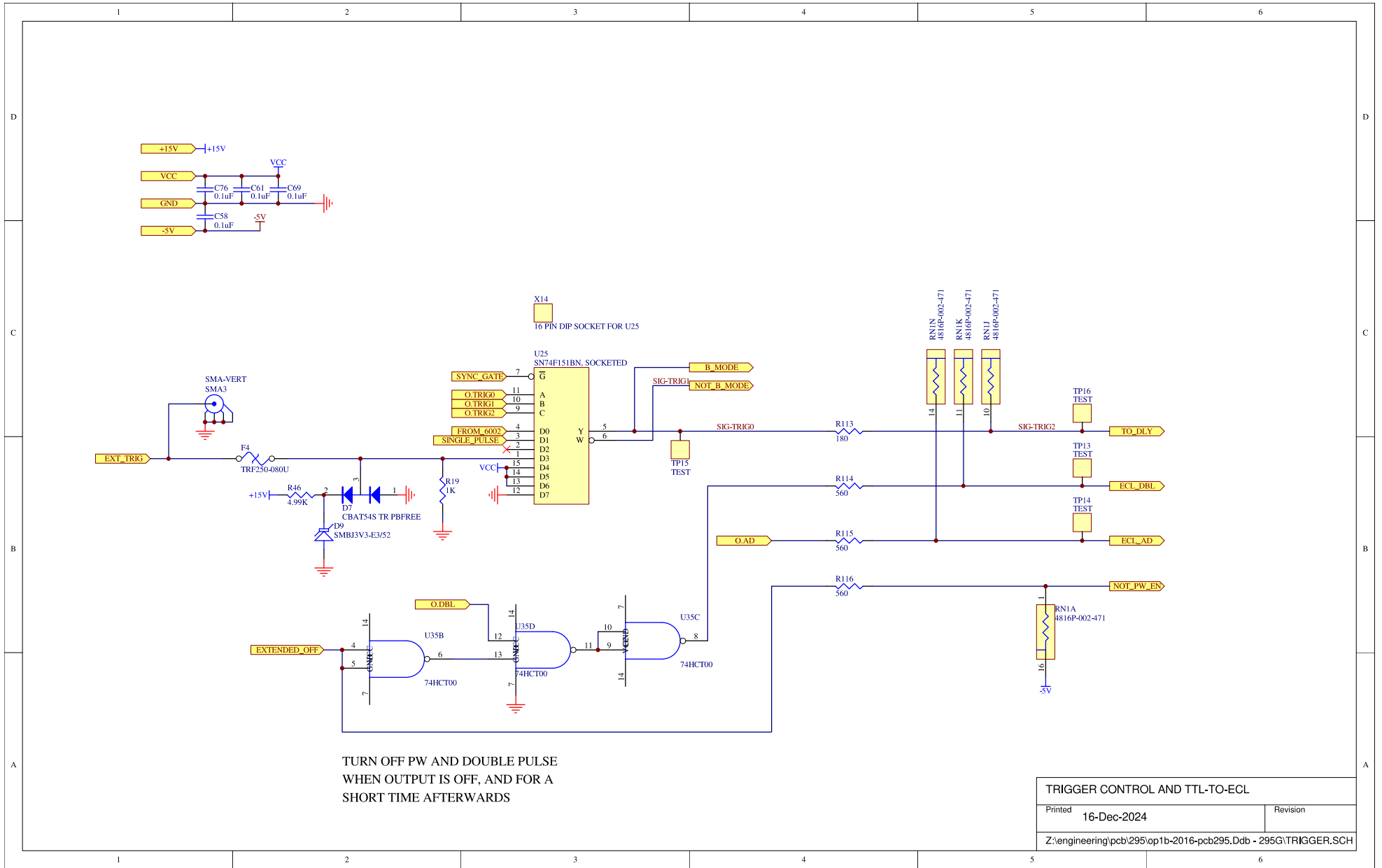


# PCB 295G - MAIN CONTROL BOARD, 11 OF 13, PULSE WIDTH CIRCUIT

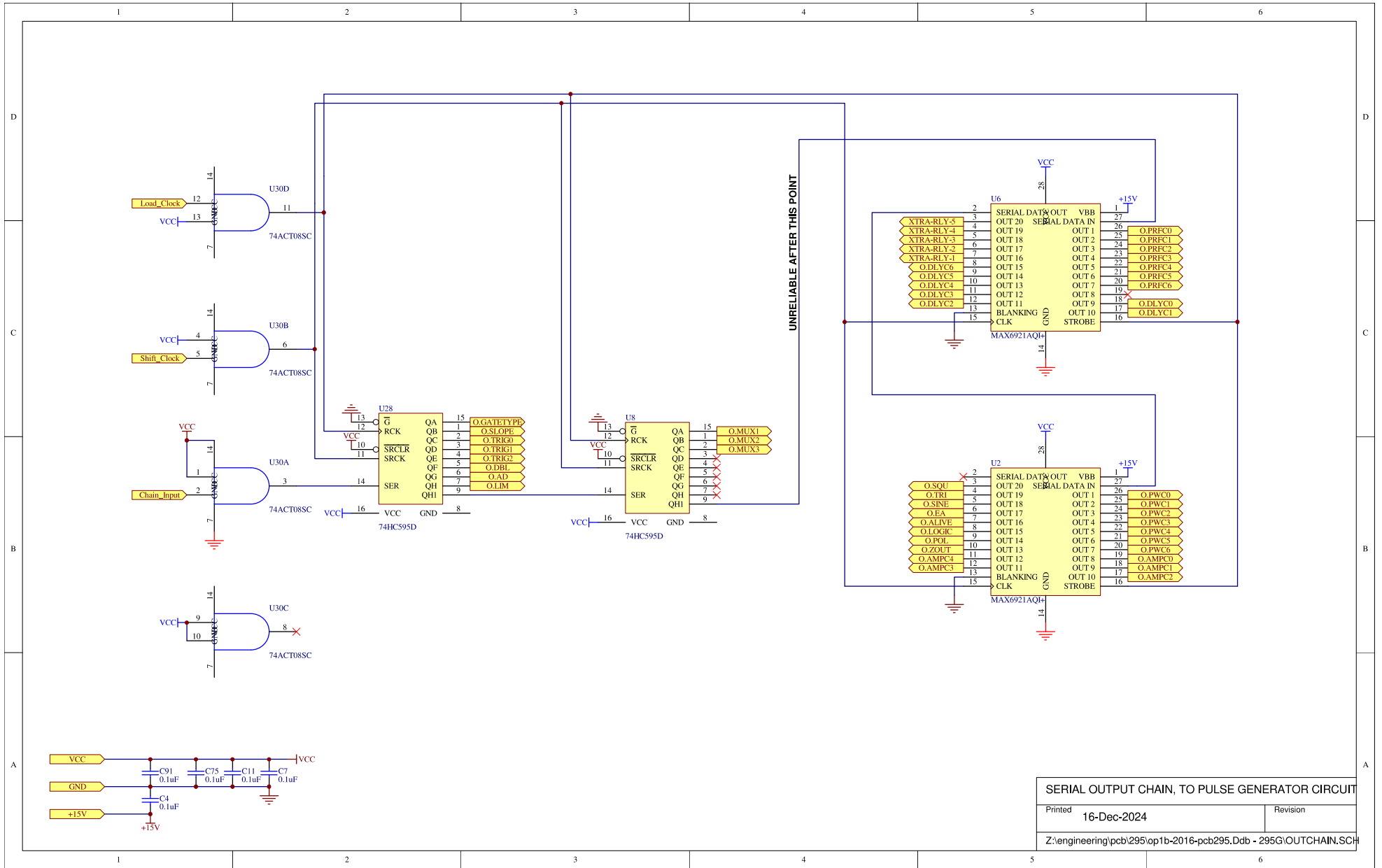


| PW, SYNC, AND ADV/DLY SELECT                              |             |          |
|---|-------------|----------|
| Printed   | 16-Dec-2024 | Revision |
| Z:\engineering\pcb\295\optb-2016-pcb295.Dxb - 295G.PW.SCH |             |          |

# PCB 295G - MAIN CONTROL BOARD, 12 OF 13, TRIGGER SELECT



# PCB 295G - MAIN CONTROL BOARD, 13 OF 13, SHIFT REGISTERS





PERFORMANCE CHECKSHEET