

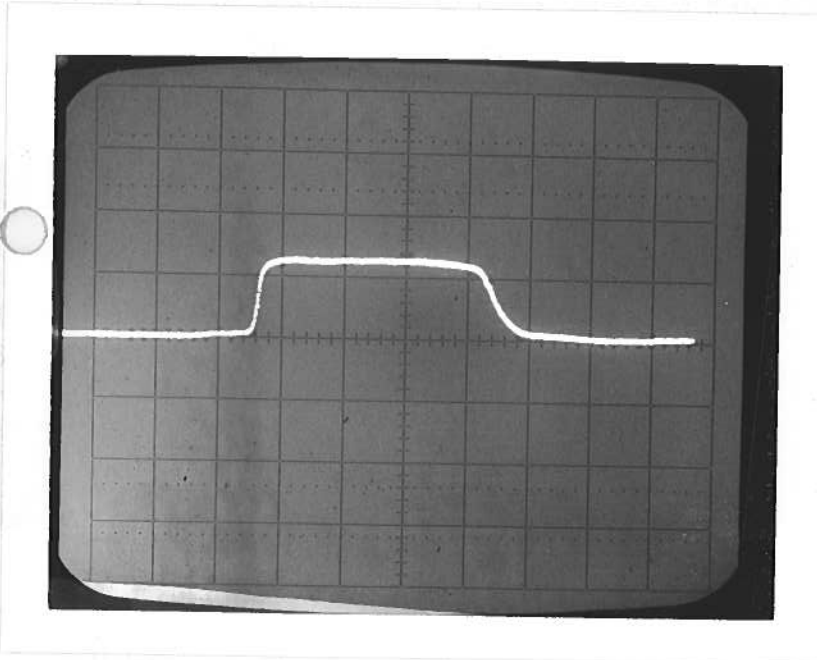
PULSE GENERATOR

PERFORMANCE CHECK

Model: *AMP-AV-HV3-C-HP-P*

S.N.: *1111*

Date: *JAN 31 83*



- a) Output signal amplitude:  
*0 TO +40V*
- b) Pulse width:  
*0 TO 10 NSEC.*
- c) Rise time:  
*≤ 150 PSEC*
- d) Fall time:  
*≤ 600 PSEC*
- e) PRF:  
*0 TO 100 KHZ.*
- f) Jitter, stability:  
*OK*
- g) Prime power:

*32 VOLTS/DIV.  
1.0 NSEC/DIV.  
100 KHZ.  
 $R_L = 50 \Omega$ .*

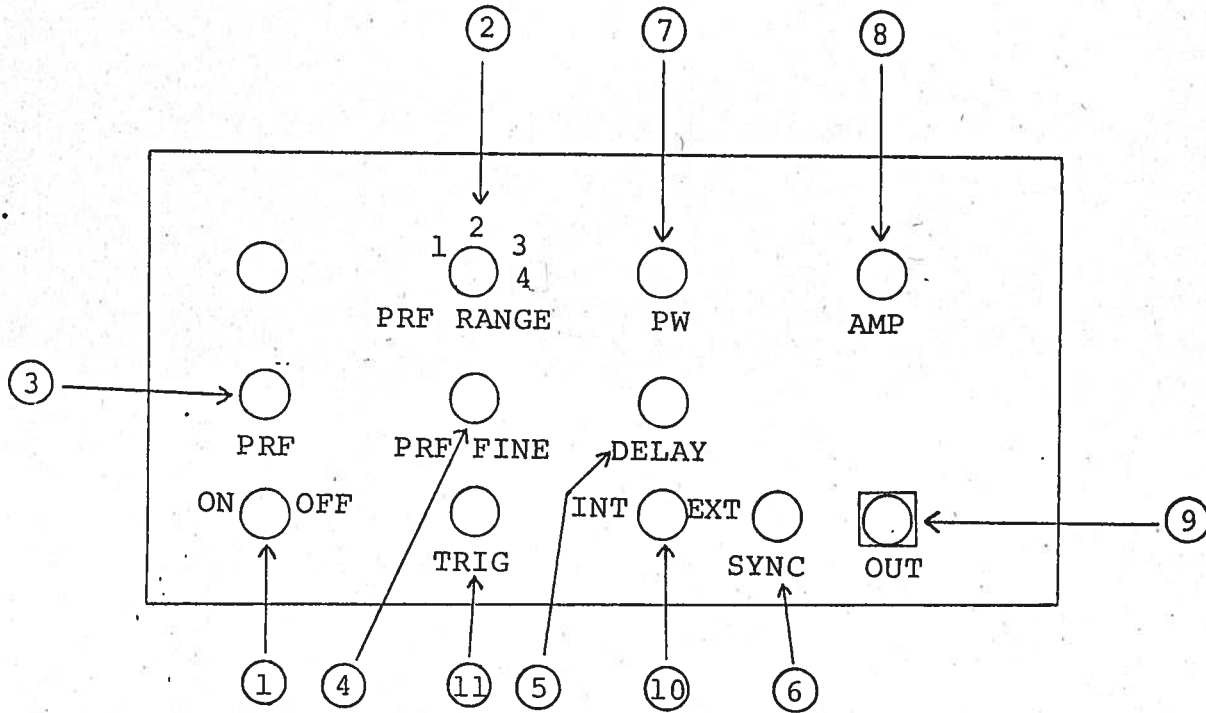
*110/220V, 50-  
60 Hz*

*[Signature]*

*HP Control*

Fig. 2

FRONT PANEL CONTROLS



- ① ON-OFF Switch. Applies basic prime power to all stages.
- ② PRF Control. The PRF RANGE, PRF and PRF FINE controls determine output PRF as follows:
- ③
- ④

	PRF MIN	PRF MAX
Range 1	10 Hz	100 Hz
Range 2	100 Hz	1.2 kHz
Range 3	1.2 kHz	19 kHz
Range 4	16 kHz	190 kHz