



INSTRUCTIONS

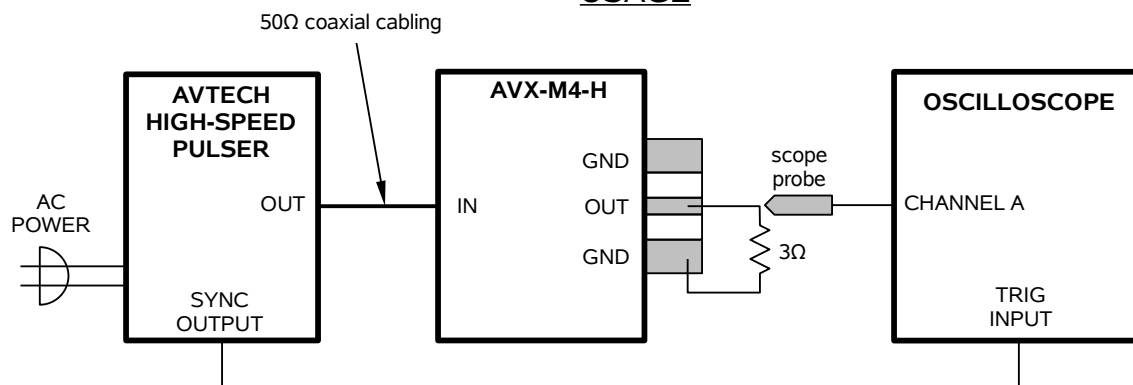
MODEL AVX-M4-H

SERIAL NUMBER: 14190

SPECIFICATIONS

| | |
|--|---|
| Model: | AVX-M4-H |
| Impedance match: | 50Ω to 3Ω |
| Basic function: | current quadrupling |
| Max. voltage in | 750 V |
| Max. voltage out | 188 V |
| Max. current out | 63 A |
| Max. pulse width: | 200 ns @ 750V 1 us @ 100V |
| Rise time ¹ (t _R , 20%-80%): | 5 ns |
| Droop (max): | < 5% |
| Dimensions: (H × W × D) | 43 × 76 × 76mm 1.7 × 3 × 3" |
| Connectors: In: Out: | SMA Microstrip line, with ground plane bordering the output center conductor |

USAGE



Notes:

1. The 3 Ohm load should be soldered between the OUT and GND pads. Use limited heat to avoid de-laminating the circuit board.