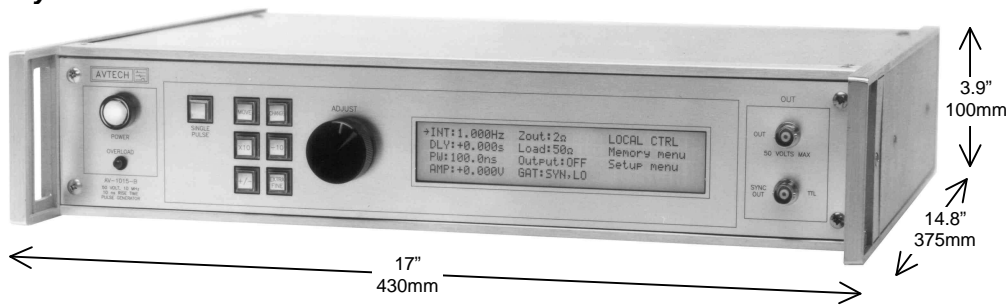


PACKAGE OUTLINES

Style G1

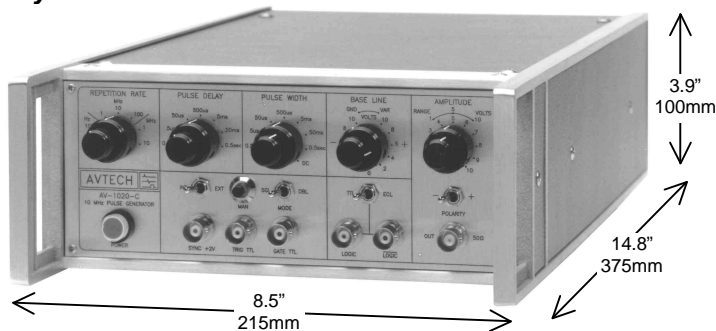


-R5 Rack Mount Kit

Add "-R5" to the model number to include rack-mount adapters for Style G1.

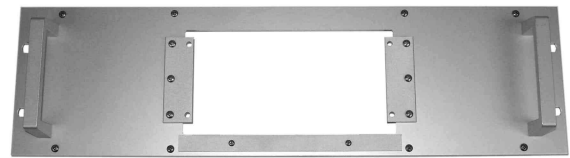


Style E1

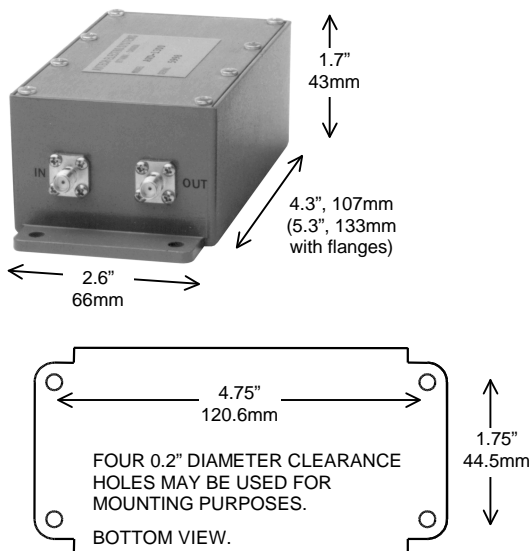


-R3A Rack-mount Kit

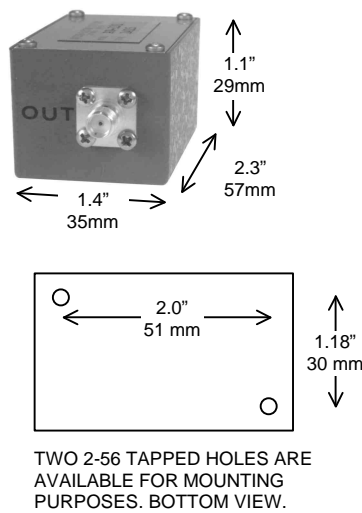
Add "-R3A" to the model number to include the rack-mount adapter for Style E1. Many models normally supplied in the E1 style can also be provided in the G1 style (see above), which is more easily adapted to rack-mount use. Contact Avtech for more information.



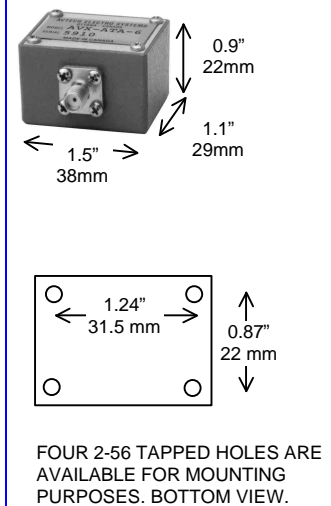
Style A



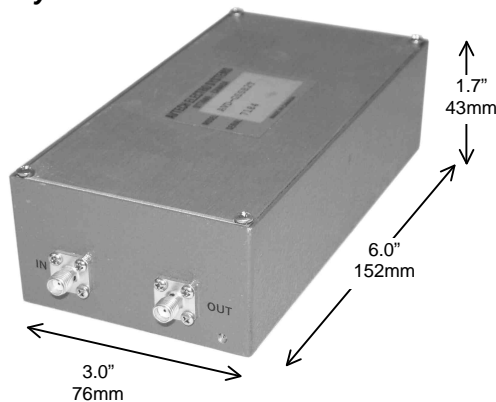
Style B



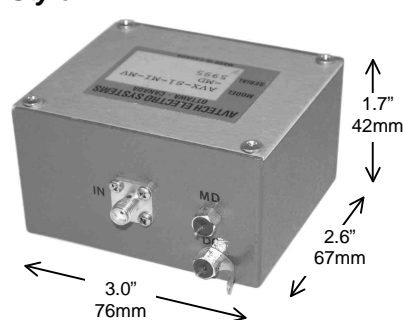
Style C



Style A1



Style A2



Other Packages

Certain models can be supplied in other packages (i.e. NIM modules or OEM packages) if required, at additional cost. Email (info@avtechpulse.com) or call Avtech for more information.